

LED TONE -SELECT™ T5 DIRECT WIRE - DUAL POWER

INSTALL INSTRUCTIONS (BALLAST BYPASS - UL TYPE B)

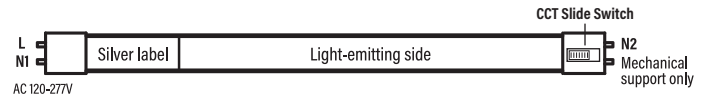
PLEASE FIND A QUALIFIED ELECTRICIAN FOR INSTALLATION.

Please read and follow all safety instructions before you install and use the linear lamp(s).

WARNINGS, CAUTIONS AND SAFETY INSTRUCTIONS:

- **Turn off power before installation.** Read these instructions completely and carefully. To avoid personal injury and/or product damage, all of the instructions below must be followed.
- **Risk of fire or electric shock.** Installation requires knowledge of luminaries electrical systems. If not qualified, do not attempt installation. Contact a qualified electrician. Installation should be performed only by a qualified electrician in accordance with the National Electrical Code (N.E.C.) and relevant local code.
- **Risk of fire or electric shock.** Install this kit only in luminaries that have the construction features and dimensions written and shown in the photographs and/or drawings and where the input rating does not exceed the input rating of the luminaire.
- To prevent wiring damage or abrasion, do not expose wiring to edges of sheet metal or other sharp objects.
- To avoid potential fire or shock hazard, do not use this retrofit kit in luminaries employing shunted bi-pin lampholders. Note: shunted lampholders are only found in fluorescent luminaries with instant start ballasts. Instant start ballasts can be identified by the word "instant start" or "I.S." marked on the ballast. This designation may be in the form of a statement pertaining to the ballast itself or may be combined with the marking for the lamp with which the ballast is intended to be used, for example F40T12/IS. For more information contact the LED luminaire retrofit kit manufacturer.

- "This luminaire has been modified and can no longer operate the originally intended lamp," shall be marked on the retrofit luminaire where readily visible by the user during normal maintenance including lamping.
- Installers should not disconnect existing wires from lampholder terminals to make new connections at the lampholder terminals. Instead installers should cut existing lampholder leads away from the lampholder and make new electrical connections to lampholder lead wires by employing applicable connectors.
- This device complies with part 15 of the FCC rules. Operation is subject to the following two conditions: (1) This device may not cause harmful interference, and (2) this device must accept any interference received, including interference that may cause undesired operation.
- This item is rated 120-277VAC
- Not intended for use with emergency exits fixtures or emergency exit lights.
- Not for use in totally enclosed or vapor-tight fixtures.
- Lamp is non-dimmable. Do not use with dimmers.
- Suitable for damp locations. Not for use where directly exposed to the weather or water.
- **To adjust CCT:** Use the slide switch on the lamp end to set select the preferred color temperature (3500K / 4000K / 5000K)



! WARNING DISCONNECT POWER BEFORE INSTALLING OR SERVICING.

NEW INSTALLATION

Single-ended: Connect the L/N wires to the pins of the end cap, close the silver label. **Note:** Power is only applied to the end cap close to the silver label. Do not apply power to the other end cap; the lamp will not function. Use only non-shunted lampholder. (Fig. 1)



Double-ended: Connect the L wire to the pins of the end cap close to the silver label. Connect the N wire to the pins of the other end cap.

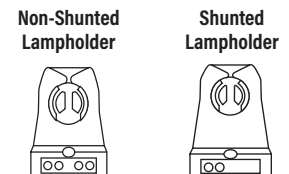


Fig. 1

RETROFIT INSTALLATION (SINGLE ENDED)

Note: Power is only applied to the end cap close to the silver label. Do not apply power to the other end cap; the lamp will not function. Use only non-shunted lampholder. (Fig. 1)

1. Turn power OFF.
2. Remove diffuser (if applicable) and existing fluorescent lamps.
3. Open ballast compartment cover, cut the wires (Fig.2), and remove the ballast. Disconnect starter (if applicable).
4. Connect the L/N wire to the lampholders, and insulate any unused wires. (Fig 3)

5. Close compartment cover and make sure live parts are not accessible. Place Caution label on the luminaire where readily visible by the user during normal maintenance including re-lamping.
6. Install LED lamp and make sure the end cap close to the silver label is connected to the lampholders with L/N wires, then replace diffuser if removed in Step 2.
7. Turn power ON and verify that the lamps are working correctly. If not, immediately turn power OFF and contact a qualified electrician.

LED TONE -SELECT™ T5 DIRECT WIRE - DUAL POWER

INSTALL INSTRUCTIONS (BALLAST BYPASS - UL TYPE B)

WARNING DISCONNECT POWER BEFORE INSTALLING OR SERVICING.

Fig 2 - Typical Ballast Wiring. Note: Different Ballast may use different color wires. Cut wires close to ballast.

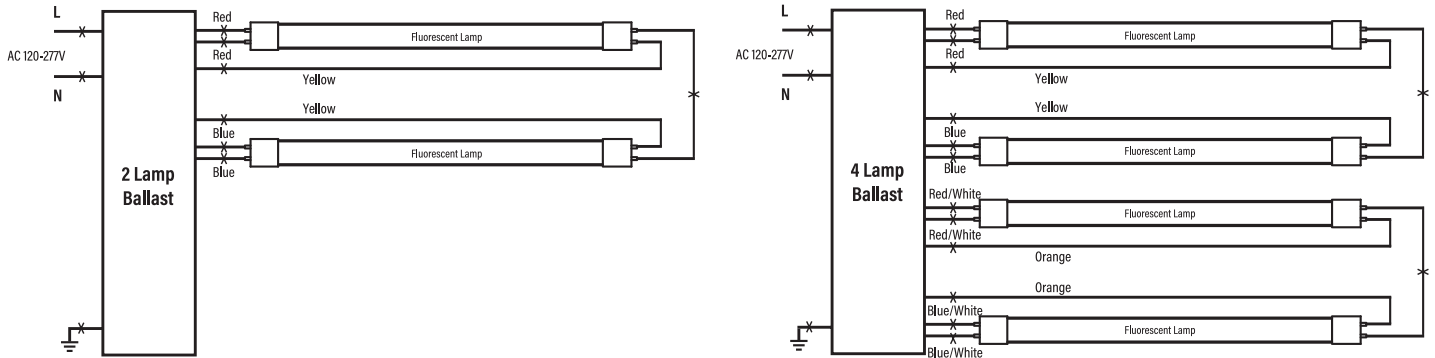
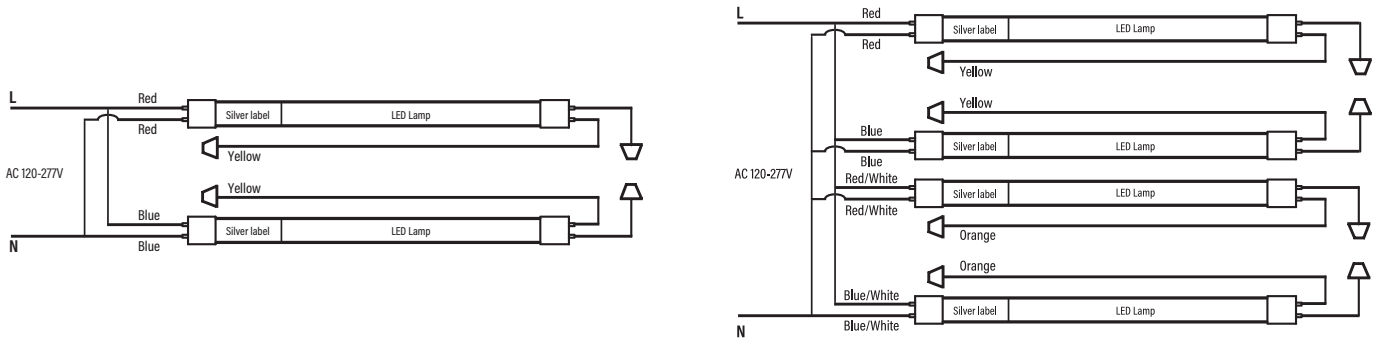


Fig 3 - Note: Do not leave any loose wires exposed. Use only non-shunted lampholders.



RETROFIT INSTALLATION (DOUBLE ENDED)

1. Turn power OFF.
2. Remove diffuser (if applicable) and existing fluorescent lamps.
3. Open ballast compartment cover, cut the wires (Fig.2), and remove the ballast. Disconnect starter (if applicable).
4. Connect the L wires to the lampholders on one end, connect N wires to lampholder at the opposite ends, and insulate any unused wires. (Fig 4)
5. Close compartment cover and make sure live parts are not accessible. Place Caution label on the luminaire where readily visible by the user during normal maintenance including re-lamping.
6. If the lampholders are non-shunted, install the LED lamp and make sure the end cap close to the silver label is connected to the lampholders with L wires, then replace diffuser if removed in Step 2.
If the lampholders are shunted, install the LED lamp and the end cap close to the silver label can connect to any lampholders, then replace diffuser if removed in Step 2.
7. Turn power ON and verify that the lamps are working correctly. If not, immediately turn power OFF and contact a qualified electrician.

Fig 4 - Note: For Double-ended, if connecting to non-shunted lampholders, the incoming L wire should connect to the L-pin on the end with the silver label.

