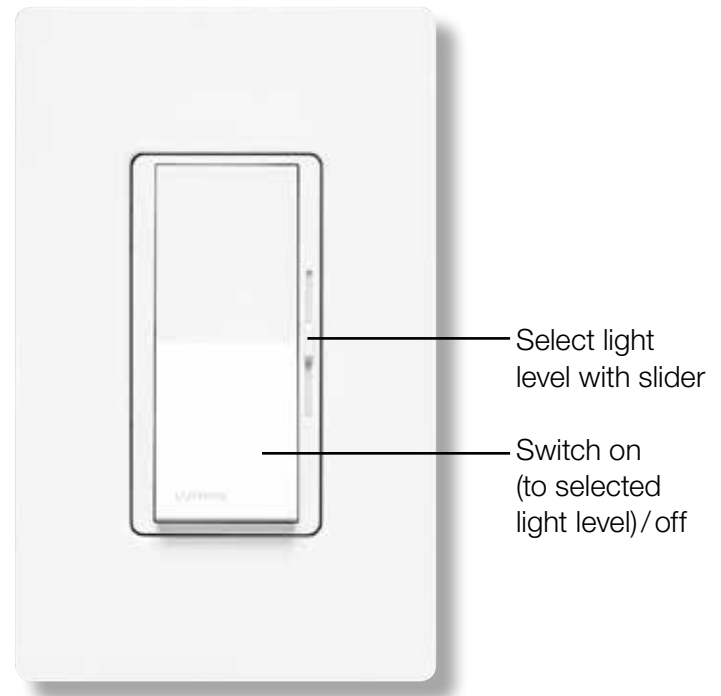


Diva 0–10 V Controls

Controls for 0–10 V LED drivers and fluorescent ballasts.

Features

- Large paddle switch with a captive linear-slide control for a standard designer-opening wallplate.
- 0–10 V control link controls third party fixtures.
- DVSTV- wires as single pole or 3-way, 120–277 V~ switch.
- Patented switching technology extends product lifetime.
- Coordinating Claro wallplates¹ (available separately).
- High-end and low-end trim user is adjustable for optimal performance.



Diva 0–10 V Control

Model Numbers

Model Number	Operating Voltage	Wiring	Load Switching Capacity	0–10 V Sink Capacity
DVSTV-XX ²	120–277 V~	Single-pole/3-way ⁵	8 A	50 mA
DVSCSTV-YY ⁴				
DVSTV-453PH-WH ¹	120–277 V~	Single-pole/3-way ⁵	450 W 3.75 A (120 V~) 1.62 A (277 V~)	50 mA
DVSTV-453PH-WH-C ^{1,3}				
DVTV-XX ²	24 V==	Single-pole/3-way ⁷	0 A ⁶	30 mA
DVSCTV-YY ⁴				

¹ DVSTV-453PH-WH and DVSTV-453PH-WH-C available in white gloss only.

² "XX" in the model number represents gloss finish color code.

³ Clamshell packaged product for Canada.

⁴ "YY" in the model number represents satin finish color code.

⁵ For 3-way switching, use Claro switches or other mechanical switches.

⁶ A Lutron power pack (PP-DV or PP-347H) is required for switching ballasts and drivers. For Lutron power pack specification, please see Lutron P/N 369544 at www.lutron.com

⁷ 24 V== single-pole double-throw (SPDT) switch, supplied by others, must be rated for dry contacts.

Specifications

DVSTV- Models

Regulatory Approvals

- cULus Listed
- NOM

Power

Operating Voltage

120–277 V~ 50/60 Hz

Output Ratings

- Switch rating of 8 A.
- 0–10 V control link for 50 mA maximum output (sink only).

0–10 V Control Link

- 0–10 V control link is Class 1.
- Controls up to 25 ballasts or drivers (IEC 60929 Annex E.2 requires the ballast/driver to limit the current draw to 2.0 mA maximum).

Performance

- Power pack cannot be used with DVSTV- models.
- Works with all ballasts and drivers that provide a current source compliant to IEC 60629 Annex E.2, and whose inrush current does not exceed NEMA410 standards for electronic ballast/driver loads of 8 A steady state current.
- Adjustable high-end and low-end trim for optimal dimming performance.
- Power failure memory: should power be interrupted, the control will return to its previously set level prior to the interruption when power is restored.
- Captive linear slider.
- Precise color matching.

Environment

- For indoor use only.
- Ambient operating temperature: 32 °F to 104 °F (0 °C to 40 °C), 0% to 90% humidity, non-condensing.

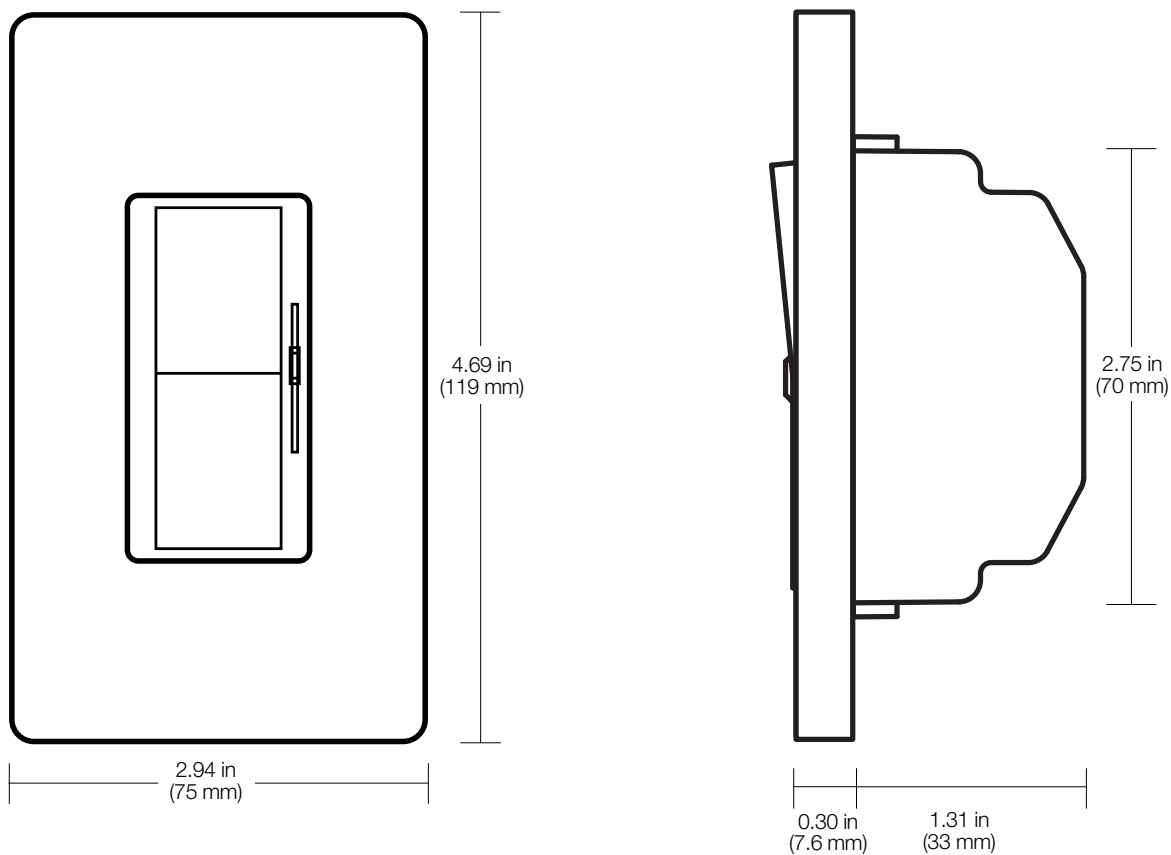
Application Requirements

- No derating required if ganged.
- Night light not available.
- Always consult local wiring codes.

Warranty

- www.lutron.com/TechnicalDocumentLibrary/369-119_Wallbox_Warranty.pdf

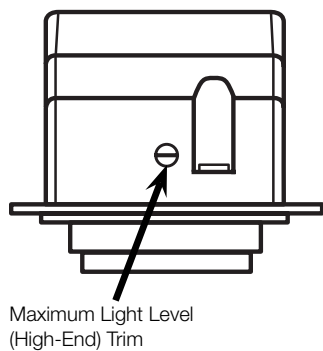
Dimensions



High-End and Low-End Adjustments

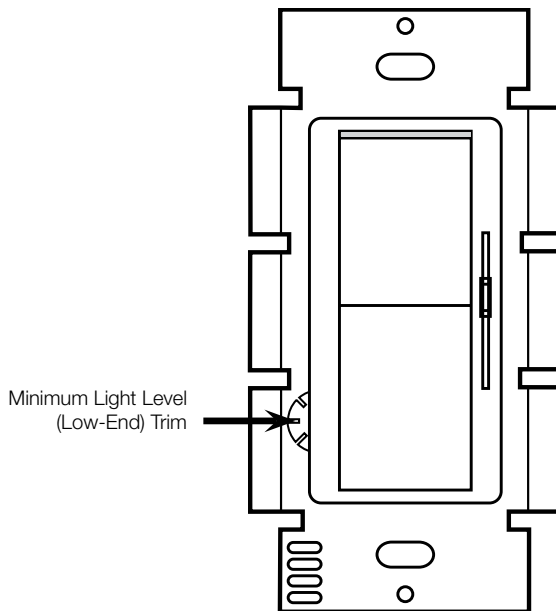
DVSTV- Models

Bottom View



All Models

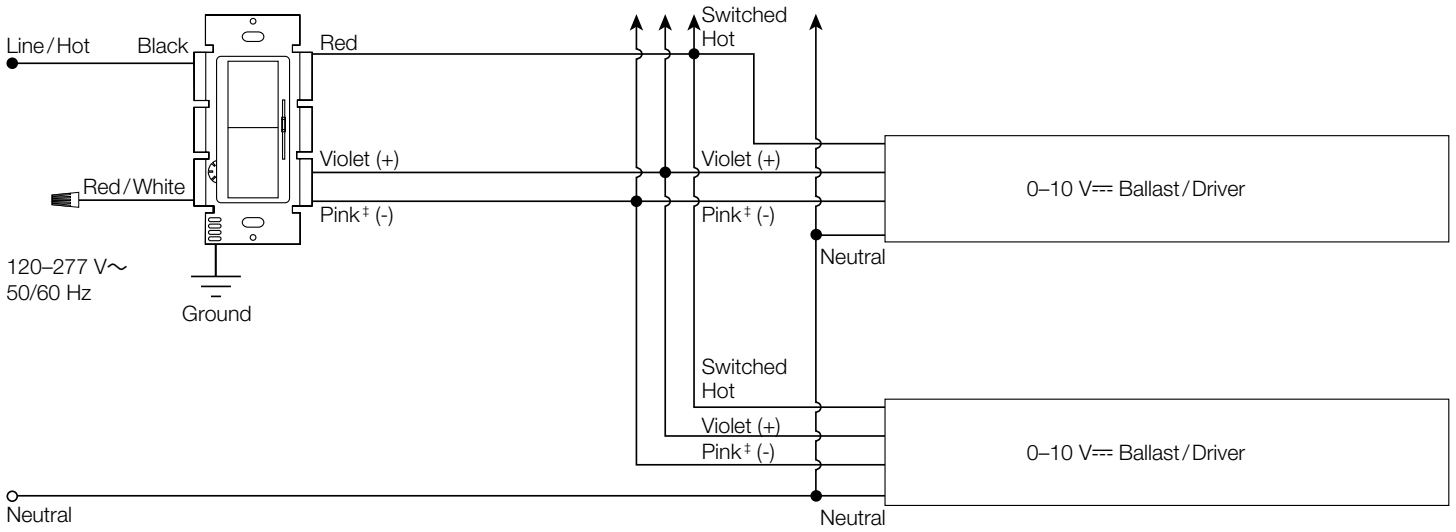
Front View



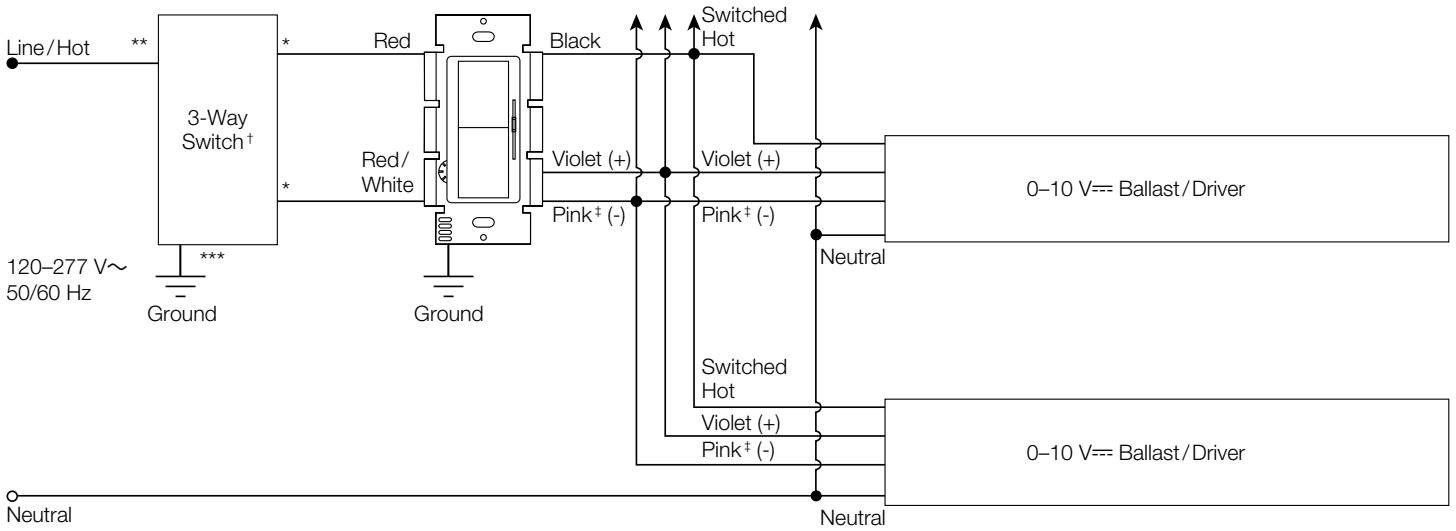
Wiring Diagrams

DVSTV- / DVSCSTV-

Single-Pole Wiring



3-Way Wiring



* Copper/Black screw terminal

** Brass/Gold screw terminal

*** Green screw terminal

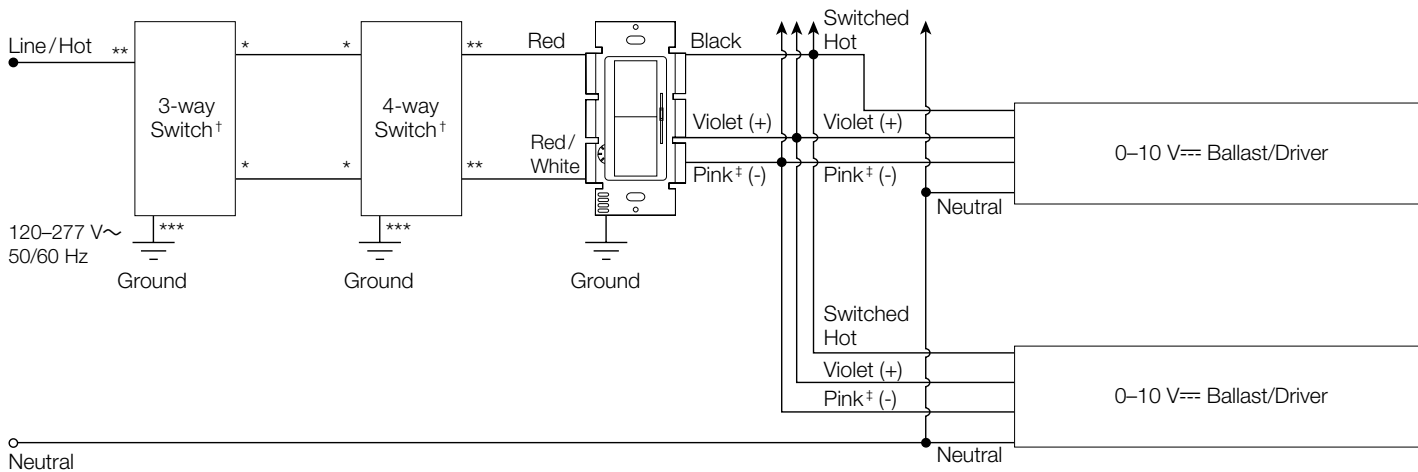
† For proper wiring, please refer to installation instructions for 3-way switch.

‡ This wire/terminal may be gray on older products or in retrofit applications.

Wiring Diagrams (continued)

DVSTV- / DVSCSTV- (continued)

4-Way Wiring



Note: For 4-way wiring, control must be installed line side or load side. It cannot be installed in the 4-way location.

* Copper/Black screw terminal

** Brass/Gold screw terminal

*** Green screw terminal

† For proper wiring, please refer to installation instructions for 3-way/4-way switch.

‡ This wire/terminal may be gray on older products or in retrofit applications.