

# LEDone®



20W Knuckle Mount



20W U-Bracket Mount



30W Knuckle Mount



30W U-Bracket Mount



45W Knuckle Mount



45W U-Bracket Mount

## LED Knuckle Mount Flood Light Family Series

### CONSTRUCTION:

Heavy die-cast aluminum housing with polyester powder-coated finish. Integral secondary heat sink to optimize thermal transfer and maximize performance of the LEDs. Driver is mounted in direct contact with the casting for low operating temperature.

### OPTICAL SYSTEM:

Philips Lumiled 3030 LED chips. High quality tempered glass optics. 120° beam angle.

### WARRANTY:

5-year limited warranty. Actual performance may differ as a result of end-user environment and application.

### ELECTRICAL:

Available as 120-277V input. -4°F to 122°F

### INSTALLATION & MOUNTING:

Knuckle mount or U-Bracket.

### FEATURES

- IP65 rated
- Easy installation and maintenance
- Corrosion and rust proof
- Semi cut-off
- 50,000 hours lifetime

### SUITABLE APPLICATIONS

- Warehouses
- Factories
- Shopping Malls
- Supermarkets
- Walk-ways
- Parks
- Logistic Centers
- Auto dealerships
- Yards



## LOD-KFL-20W-50K-LV-V11

WATTAGE	CCT	LUMENS	EFFICACY	VOLTAGE	CRI	POWER FACTOR	THD	REPLACES
20W	5000K	2,080LM	104lm/W	120-277V	80	0.9	18%	50W

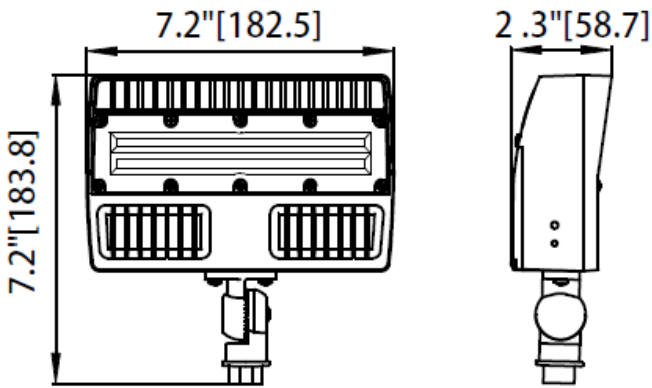
## LOD-KFL-30W-50K-LV-V11

WATTAGE	CCT	LUMENS	EFFICACY	VOLTAGE	CRI	POWER FACTOR	THD	REPLACES
30W	5000K	3,050LM	101.67lm/W	120-277V	80	0.96	12.8%	75W

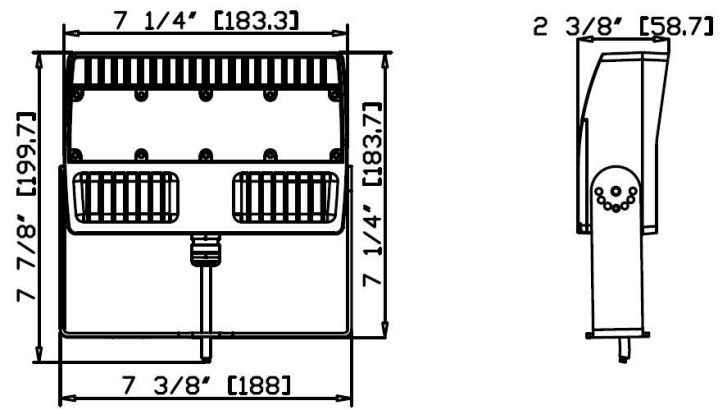
## LOD-KFL-45W-50K-LV-V11

WATTAGE	CCT	LUMENS	EFFICACY	VOLTAGE	CRI	POWER FACTOR	THD	REPLACES
45W	5000K	5,670LM	126lm/W	120-277V	70	0.9	20%	150W

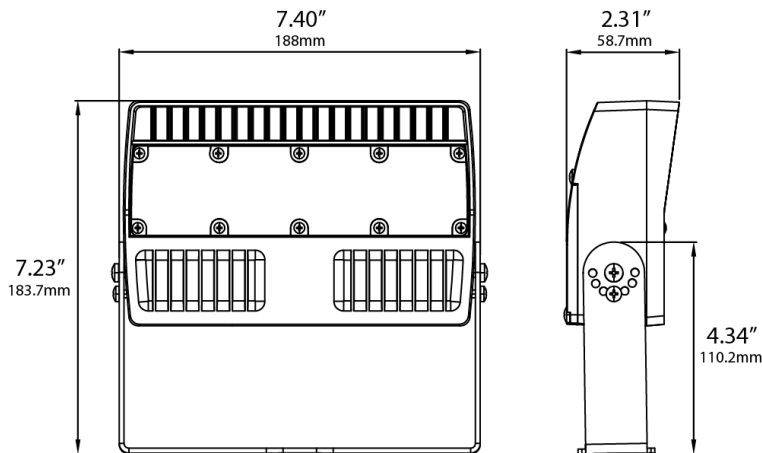
## MEASUREMENTS



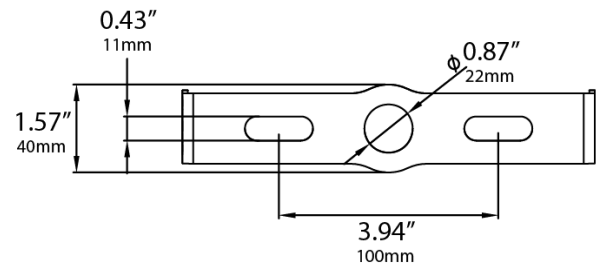
**Knuckle Mount**



**45W w/ U-Bracket Mount**



**20W/30W U-Bracket Mount**



**U-Bracket Mount Screw Hole Size**