

LEDone®

LED 2FT Wrap Around Light



FEATURES

- IP20 rated
- ABS endcaps design for easy install/removal of lens
- 50,000 hours lifetime

SUITABLE APPLICATIONS

- Parking Lots
- Supermarkets
- Corridors
- Retail Spaces
- Warehouses

CONSTRUCTION:

22-gauge metal housing with matte white finish. PMMA cover lens.

OPTICAL SYSTEM:

Samsung 2835 LED chips. Frosted lens. 110° beam angle.

WARRANTY:

5-year limited warranty. Actual performance may differ as a result of end-user environment and application.

ELECTRICAL:

Available as 100-277V input. -4°F to 122°F

INSTALLATION & MOUNTING:

Suspension or surface mounting options.

Metal joiner bracket:

- 2 foot can link up to 20 pieces

CONTROLS & DIMMING:

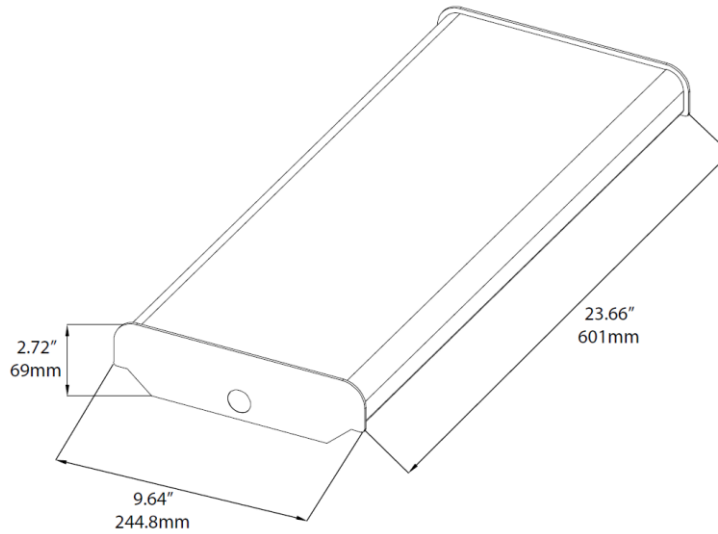
0-10V dimming comes standard.



MODEL NUMBER	WATTAGE	LUMENS	EFFICACY	CRI	POWER FACTOR	THD	REPLACES
LO-LOC-2FTWA-23W50KD	23W	3,026.8LM	131.6LM/W	80	0.9	20%	

Series	2 FOOT	Color Temperature	Controls
LOC-WA	23W	5000K	D = 0-10V Dimming

MEASUREMENTS



OPTIONAL ACCESSORIES

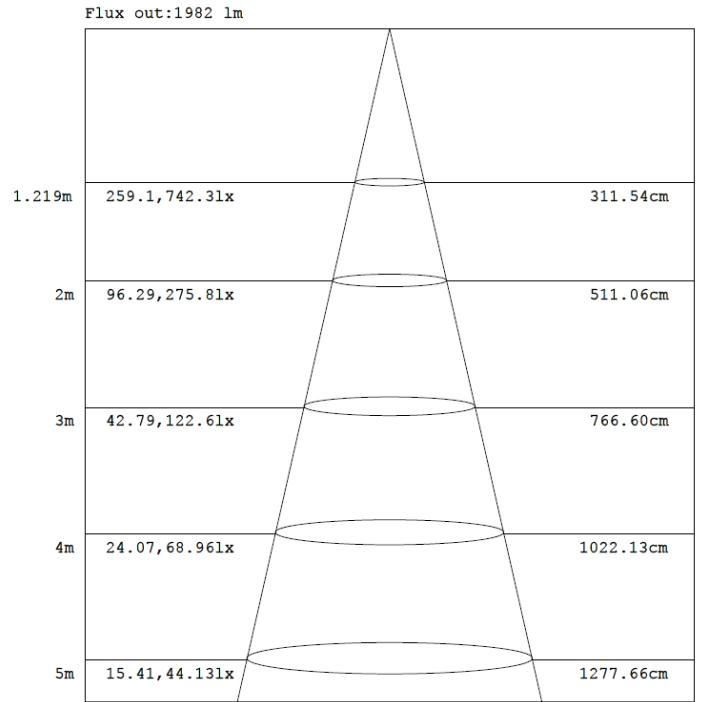
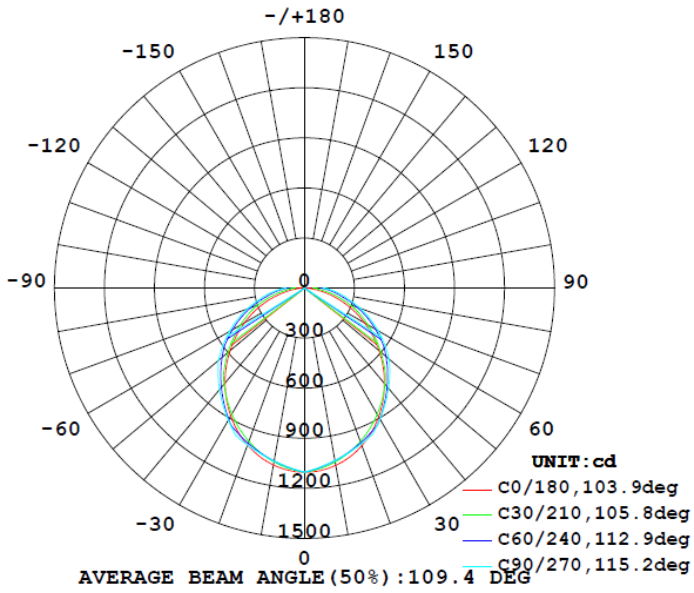


Emergency Battery
LOC-EMDR-15W-050



Metal Joiner Bracket
(Sold Separately)

2 FOOT 23W



Note: The Curves indicate the illuminated area and the average illumination when the luminaire is at different distance.