



LOC-HBEMDR-25W Series Installation Guide

SAVE THESE INSTRUCTIONS!

SAFETY INSTRUCTIONS: Read instructions carefully before attempting to install fixture.

- All wiring should be performed by a qualified electrician. All connections must be in accordance with the requirements of the National Electrical Code.
- Disconnect power before installing or servicing. This fixture must be wired in accordance with the National Electrical Code and applicable local codes and ordinances.
- Proper grounding is required to ensure personal safety.

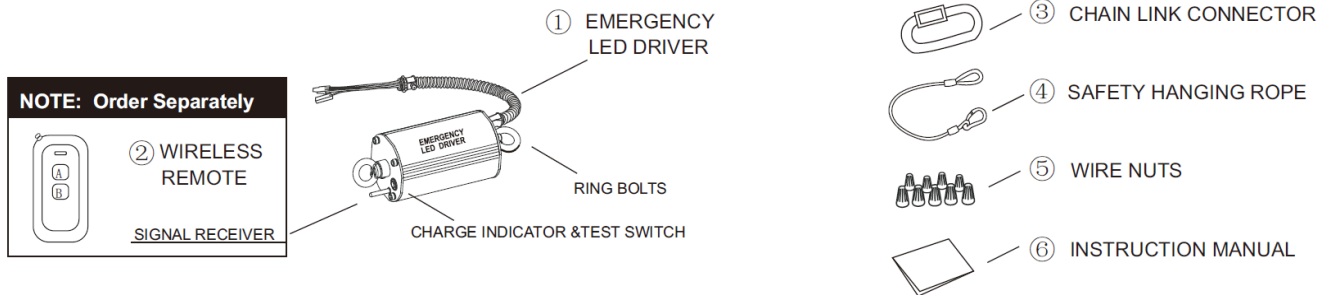
CAUTION:

- **WARNING:** This emergency battery is only used for emergency back-up of the LED light load. Do NOT use for other than intended use.
- **WARNING:** This emergency battery provides more than one power supply output source. To reduce the risk of electrical shock, disconnect both normal and emergency source by turning off the A.C. branch circuit and by disconnecting the unit connector.
- **WARNING:** Do NOT attempt to service the battery. A sealed, no maintenance battery is used that is not field replaceable. Replace the entire unit when necessary.
- **WARNING:** The use of accessory equipment is NOT recommended by the manufacturer. It may cause an unsafe condition, void warranty and result in non-compliance with UL specifications.
- **WARNING:** The emergency battery requires an un-switched AC power source of 100-347VAC, 50/60Hz. **Verify the correspondent electrical rating at the LED fixture input voltage covers 120VAC before servicing.** Both electrical rating will supply power under an output voltage of 170VDC in emergency mode for at least 90 minutes.
- **WARNING:** Battery pack should be charged for 24 hours every 6 months during storage.
- **WARNING:** Disconnect the battery pack before shipping and storing.
- **WARNING:** The battery in this unit may not be fully charged. After electricity is connected to the unit for at least 24 hours. Then normal operation of this unit should take effect.
- **WARNING:** For use in 32°F min. to 122°F max. ambient temperatures. Suitable for use in damp locations and plenum spaces.
- **WARNING:** The emergency battery should be mounted in locations and at heights where it will not readily be subjected to tampering by unauthorized personnel.
- **WARNING:** The emergency battery should be turned OFF by pressed test switch or button A once, before maintenance, storage or shipping.
- **WARNING:** Do NOT mount near gas or electric heaters. Do NOT let power supply cords touch hot surfaces.
- **WARNING:** Do NOT make or leave any other open holes in the wiring enclosure or electrical component enclosure during installation.
- **WARNING:** This fixture is for use with grounded, UL listed, damp location rated and indoor fixture. Not for use in heated air outlets or hazardous locations.
- **WARNING:** This emergency battery is intended to be mounted outside an LED fixture which is suitable for both factory and field installation.
- **WARNING:** Do NOT use outdoors!

LUMEN OUTPUT DURING EMERGENCY OPERATION:

The luminaire rated data and maximum mounting height can be found as follows:

1. Determine the fixture efficacy under normal AC operation based on fixture manufacturer published data in lumens per watt (LM/W).
2. Reference DLC QPL (www.designlights.org) and Energy Star (www.energystar.gov) for rated data on fixture efficacy. If fixture is NOT found on DLC or Energy Star Qualified Product Lists, contact the fixture manufacturer.
3. Multiply fixture LM/W by rated output power of emergency pack. (example: model LOC-HBEMDR-25W is 25W x 100LM/W = 2,500LM).



SELF-DIAGNOSTIC (MAINTENANCE):

- The integrated self-diagnostic circuitry will automatically conduct 1 monthly 30 seconds and annual 90-minute tests to verify proper emergency capability per Life Safety Code requirements. NFPA101, Life Safety Code Outlines the following schedule:
 - a. Monthly: During AC mode, the system conducts a 30 seconds self-discharge test of the emergency LED battery every 30 days. It will automatically restore to normal charging after 30 seconds dis-charged.
 - b. Annually: During AC mode, the system conducts a 90 minutes self-discharge test of the emergency LED battery every 365 days. It will automatically restore to normal charging after fully dis-charged.

“Written records of the testing should be kept by the owner for inspection by the authority having jurisdiction.” If the charging indicator is flashing rapidly or off, contact manufacturer.

INSTALLATION: MAKE SURE THE POWER IS OFF BEFORE INSTALLING!

1. ASSEMBLING NOTICE:

- a. The maximum weight of the LED lighting fixture should be less than 20kg (44lbs.).
- b. Before wiring, make sure the safety rope is securely locked and that all the screws are tight.

2. INSTALLING:

- a. Turn off the AC power before installing.
- b. Assemble the emergency battery to the safety rope with the chain link connector.

3. WIRING:

- a. Select the appropriate wiring diagram to connect the emergency battery to the AC drive. For other diagrams, consult the manufacturer.
- b. The voltage input to the dimmable wires (DIM+, DIM-) of the emergency battery must be less than 20Vdc.
- c. Using wire nuts, make sure all un-used wires and all connections are accordance with National Electrical Code or any other local regulations.

4. TESTING:

- a. After wiring is complete, apply AC power. Check if the indicator light is lit up or not. This will indicate the battery's charging situation.
- b. The battery in this unit may not be fully charged. A short-term discharge test may be conducted after the battery has been charging for 1 hour. Charge for 24 hours before conducting a long-term discharge test.

WIRING DIAGRAM:

CAUTION

Risk of Electric Shock



Note: The emergency driver is compatible with 0-10V dim LED Fixtures only.

NOTE: Before wiring, make sure safety rope is securely locked.

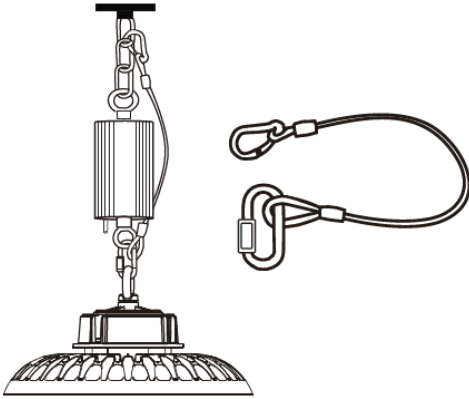


FIG A. with dimmer

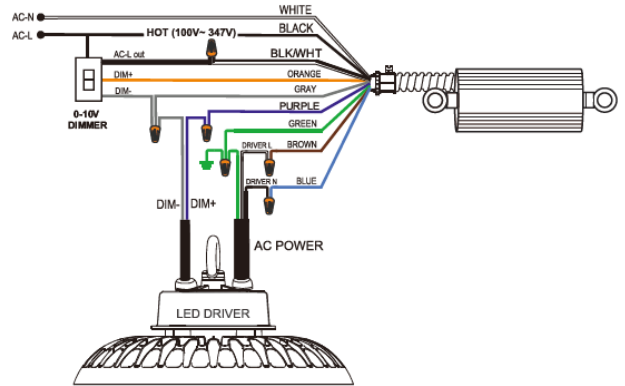


FIG B. without dimmer and sensor

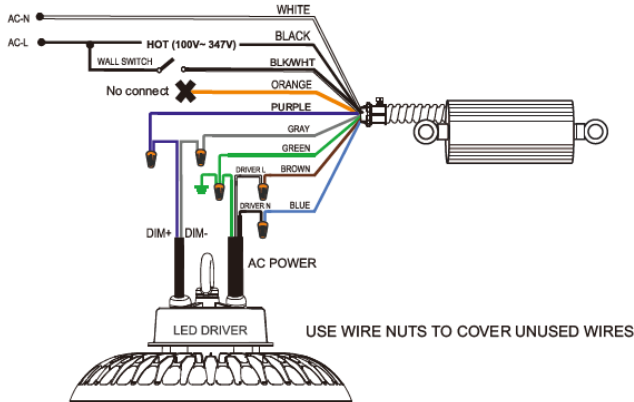


FIG C. with sensor

