

# LEDone®

## LED LOC-ELHB High Bay Light Family Series

### FEATURES

- **Multi Watt Models Only:**
  - Default Wattage is the highest wattage
    - 150W
  - Default CCT: 5,000K
- IP66 rated
- SPD 6KV
- Corrosion resistant
- Easy installation and maintenance
- 50,000 hours lifetime



80W / 100W / 150W

### CONSTRUCTION:

Corrosive resistant polyester powder coat finish. PC3000U lens. Aluminum Alloy.

### OPTICAL SYSTEM:

Philips Lumiled 3030 LED chips. 120° beam angle standard.

### WARRANTY:

5-year limited warranty. Actual performance may differ as a result of end-user environment and application.

### ELECTRICAL:

Available as 100-277V

Operating Temperature: -22°F to 122°F

### SUITABLE APPLICATIONS

- Warehouse
- Manufacturing facilities
- Convention centers
- Sporting Arenas
- Big-box retail stores
- Cold storage facilities
- Gymsnasiums

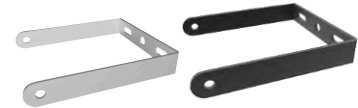


### INSTALLATION & MOUNTING:

Hook mount.

### DIMMING:

0-10V dimming



U-Bracket  
(For multi watt models)

## LED LOC-ELHB High Bay Light Family Series

### LOC-ELHB-MW(80/100/150)MCCT(30/40/50)-LV

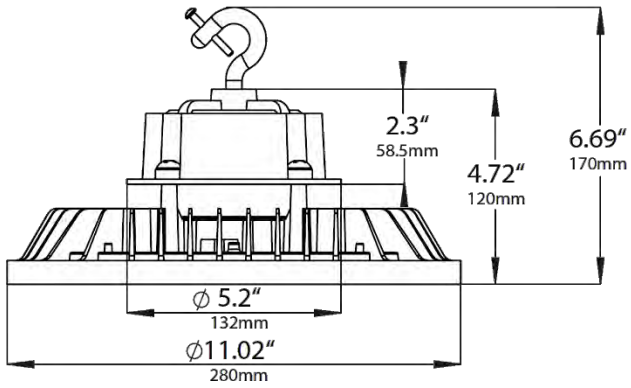
WATTAGE SELECTABLE	CCT SELECTABLE	LUMENS	EFFICACY	VOLTAGE	CRI	POWER FACTOR	THD	REPLACES
80W	3000K / 4000K / 5000K	11,600LM	145lm/W	100-277V	70	0.95	15%	175W – 600W HID
100W	3000K / 4000K / 5000K	14,500LM	145lm/W	100-277V	70	0.95	15%	175W – 600W HID
150W	3000K / 4000K / 5000K	21,750LM	145lm/W	100-277V	70	0.95	15%	175W – 600W HID

### LOC-ELHB-MW(80/100/150)MCCT(30/40/50)-LV (WHITE)

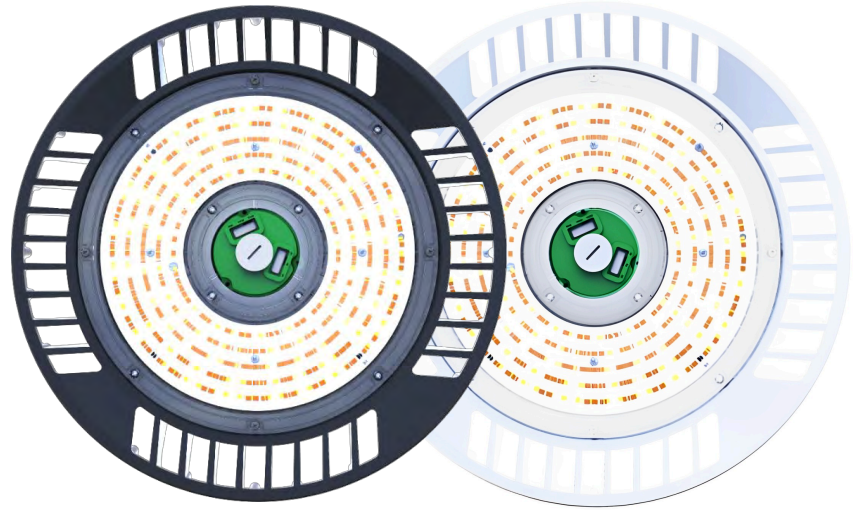
WATTAGE SELECTABLE	CCT SELECTABLE	LUMENS	EFFICACY	VOLTAGE	CRI	POWER FACTOR	THD	REPLACES
80W	3000K / 4000K / 5000K	11,600LM	145lm/W	100-277V	70	0.95	15%	175W – 600W HID
100W	3000K / 4000K / 5000K	14,500LM	145lm/W	100-277V	70	0.95	15%	175W – 600W HID
150W	3000K / 4000K / 5000K	21,750LM	145lm/W	100-277V	70	0.95	15%	175W – 600W HID

# MEASUREMENTS

LEDone®



80W / 100W / 150W



Multi Wattage Multi CCT Model

# MOUNTING GUIDE

80W / 100W / 150W

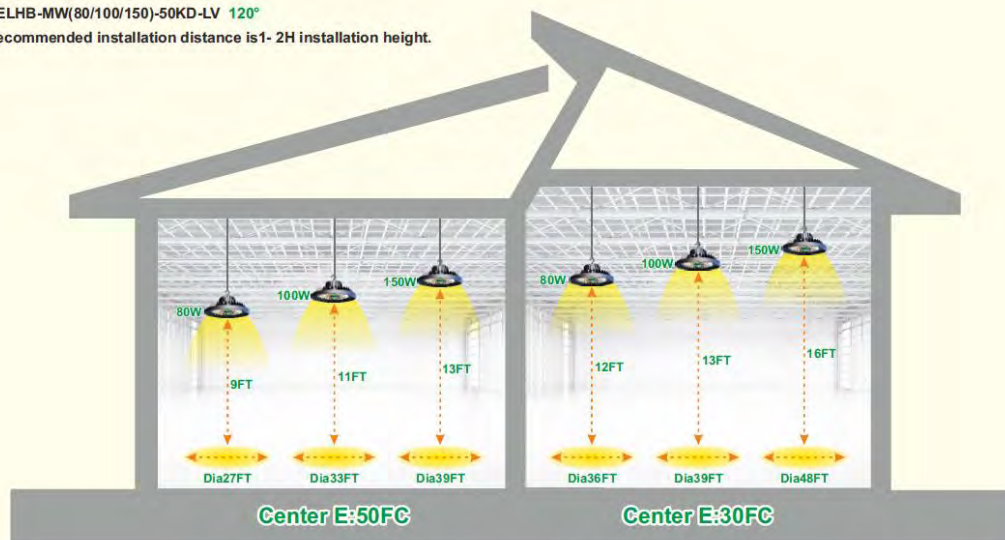
## RECOMMEND INSTALLATION HEIGHT 8-20FT

LEDone®

Power	Equivalent	Height of Installation(FT)	Coverage(FT)	Center E(FC)
80W	150/250W HID	8-15	Dia24-45	20-70
100W	250W HID	9-17	Dia27-51	20-70
150W	400W HID	11-20	Dia33-60	20-70

LOC-ELHB-MW(80/100/150)-50KD-LV 120°

The recommended installation distance is 1- 2H installation height.



Roll over image to zoom in