

LEDone®

LED LOC-ELHB High Bay Light Family Series

FEATURES

- **Multi Watt Models Only:**
 - Default Wattage is the highest wattage
 - 150W
 - Default CCT: 5,000K
- IP66 rated
- SPD 6KV
- Corrosion resistant
- Easy installation and maintenance
- 50,000 hours lifetime



80W / 100W / 150W

CONSTRUCTION:

Corrosive resistant polyester powder coat finish. PC3000U lens. Aluminum Alloy.

OPTICAL SYSTEM:

Philips Lumiled 3030 LED chips. 120° beam angle standard.

WARRANTY:

5-year limited warranty. Actual performance may differ as a result of end-user environment and application.

ELECTRICAL:

Available as 277-480V input.

Operating Temperature: -22°F to 122°F

SUITABLE APPLICATIONS

- Warehouse
- Manufacturing facilities
- Convention centers
- Sporting Arenas
- Big-box retail stores
- Cold storage facilities
- Gymnasiums



INSTALLATION & MOUNTING:

Hook mount.

DIMMING:

0-10V dimming



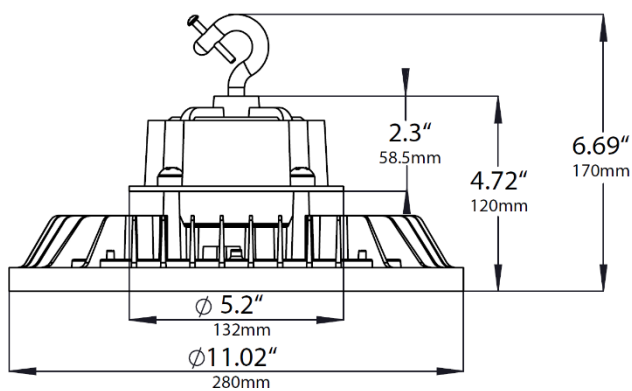
U-Bracket
(For multi watt models)

LED LOC-ELHB High Bay Light Family Series

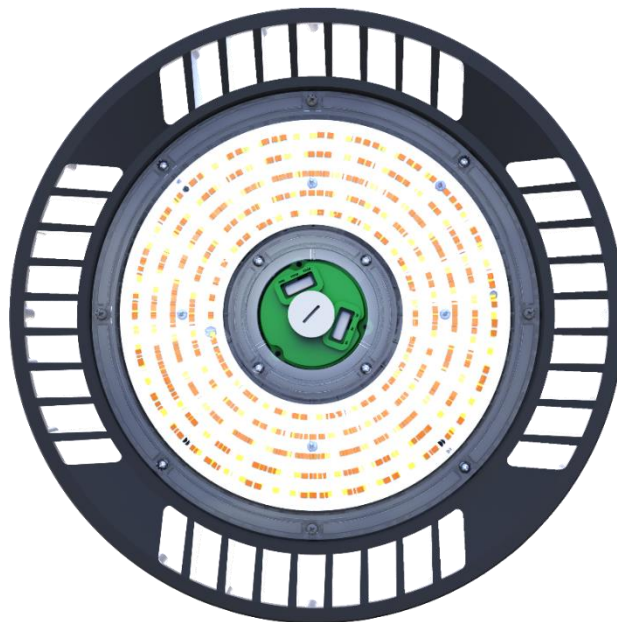
LOC-ELHB-MW(80/100/150)MCCT(30/40/50)-HV

WATTAGE SELECTABLE	CCT SELECTABLE	LUMENS	EFFICACY	VOLTAGE	CRI	POWER FACTOR	THD	REPLACES
80W	3000K / 4000K / 5000K	11,600LM	145lm/W	277-480V	70	0.95	15%	175W – 600W HID
100W	3000K / 4000K / 5000K	14,500LM	145lm/W	277-480V	70	0.95	15%	175W – 600W HID
150W	3000K / 4000K / 5000K	21,750LM	145lm/W	277-480V	70	0.95	15%	175W – 600W HID

MEASUREMENTS



80W / 100W / 150W



Multi Wattage Multi CCT Model

MOUNTING GUIDE

80W / 100W / 150W

RECOMMEND INSTALLATION HEIGHT

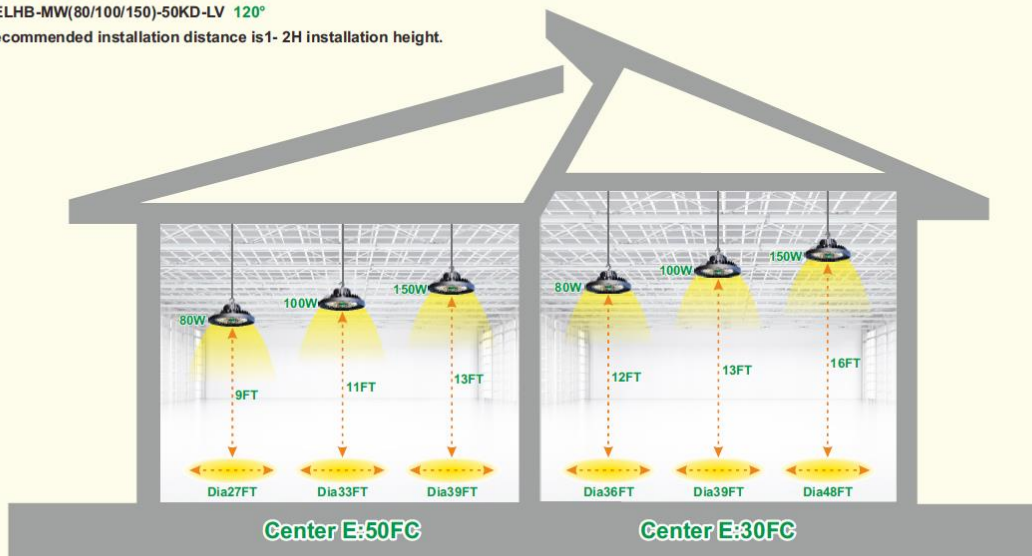
8-20FT

LOC-ELHB-MW(80/100/150)-50KD-LV 120°

The recommended installation distance is 1- 2H installation height.

LEDone®

Power	Equivalent	Height of Installation(FT)	Coverage(FT)	Center E(FC)
80W	150/250W HID	8-15	Dia24-45	20-70
100W	250W HID	9-17	Dia27-51	20-70
150W	400W HID	11-20	Dia33-60	20-70



Roll over image to zoom in