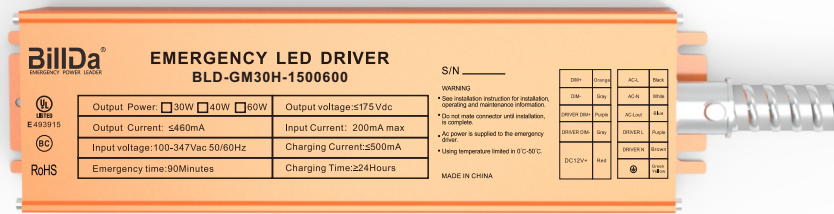


EMERGENCY LED DRIVER ULI-BLD-GM40D

Features:

- Standard CSA C22.2 NO.141、UL924、IP65
- Selectable emergency power 30W 40W 60W
- Universal input (100-347VAC)
- Built-in Lithium Battery
- Battery protections: over charge protection, over discharge protection, short circuit protection
- The batteries meet 500 cycles of standard charge and discharge
- Silicone potted
- Waterproof Rate: IP65



Specifications

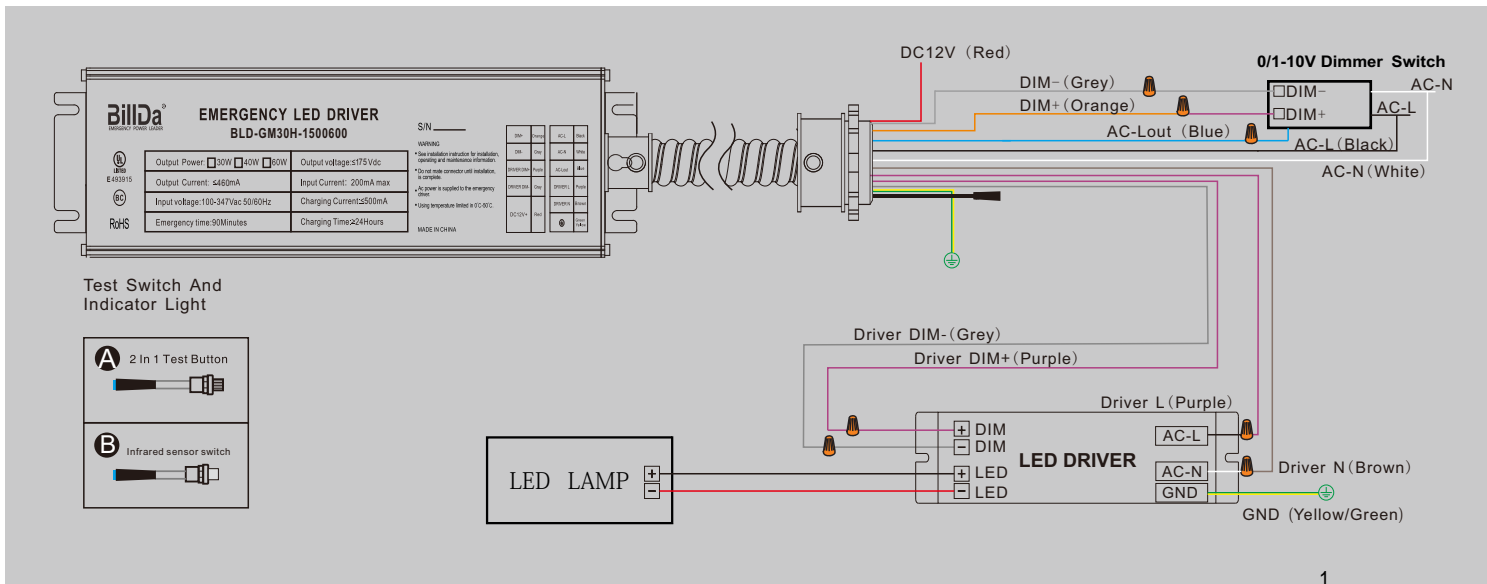


RoHS

Output Voltage	≤175Vdc	Test Switch/ Charging Indicator Light	Low Voltage, Illuminated Test Switch
Universal Input Voltage	100-347VAC, 50/60Hz	Battery Charging Current	≤500mA
AC Input Current	200mA max	Recharge Time	≤24Hours
AC Input Power Rating	15W	Temperature Rating (Ambient)	Li-ion 32°F to 122°F
Emergency Time	90 Minutes	Output Current	≤460mA
Full Warranty	5 Years		
Output Power	30W/40W/60W		

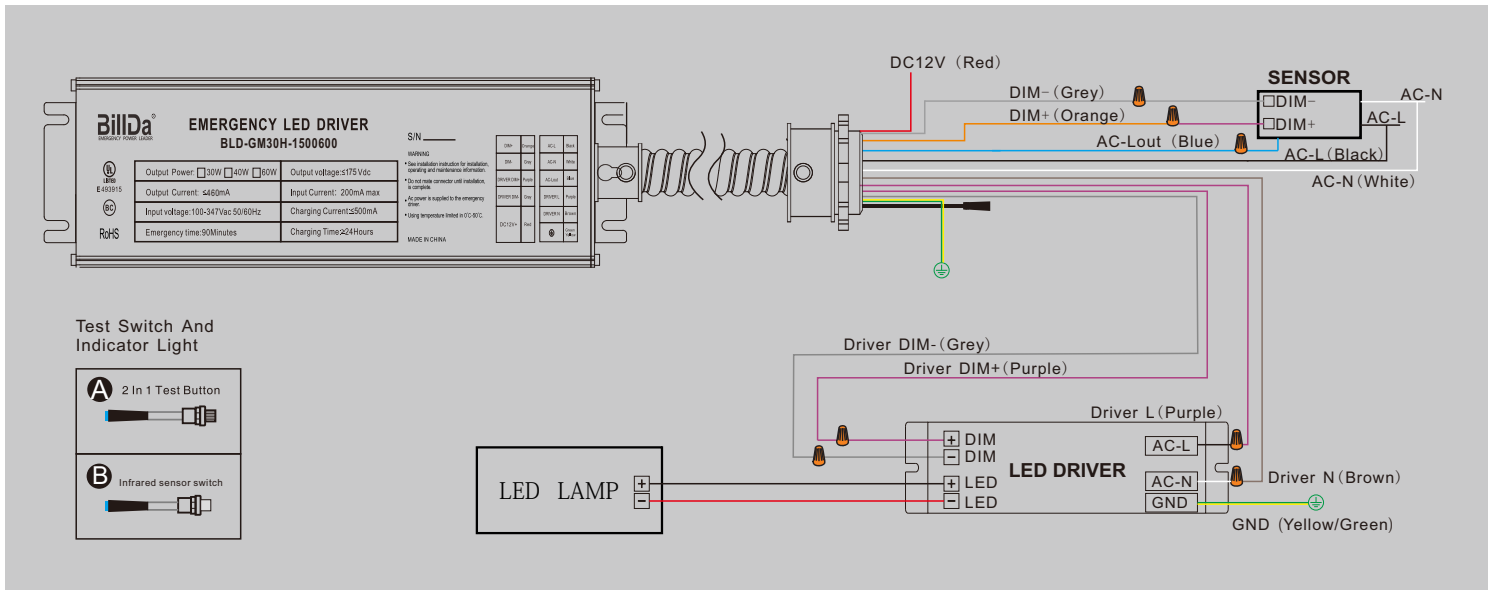
Wiring Diagram

Note: The Emergency LED Driver Work With 0/1-10V Dimmable LED Fixture (with Dimmer Switch)

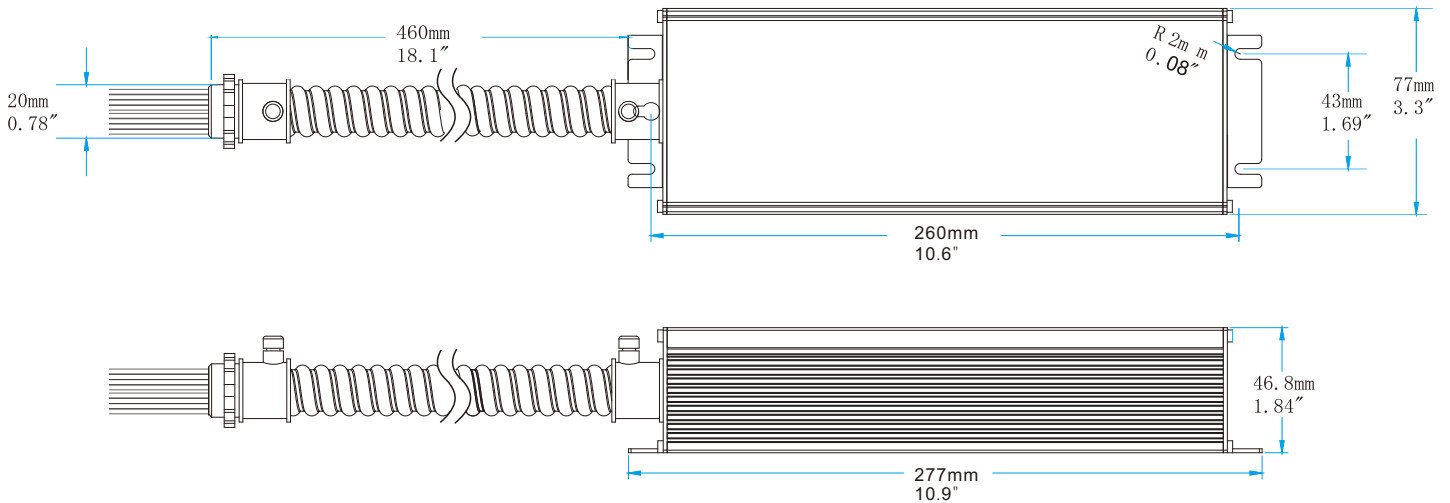


Wiring Diagram

Note: The Emergency LED Drivers Only Work With 0/1-10v Dimmable LED Fixture **(with sensor)**

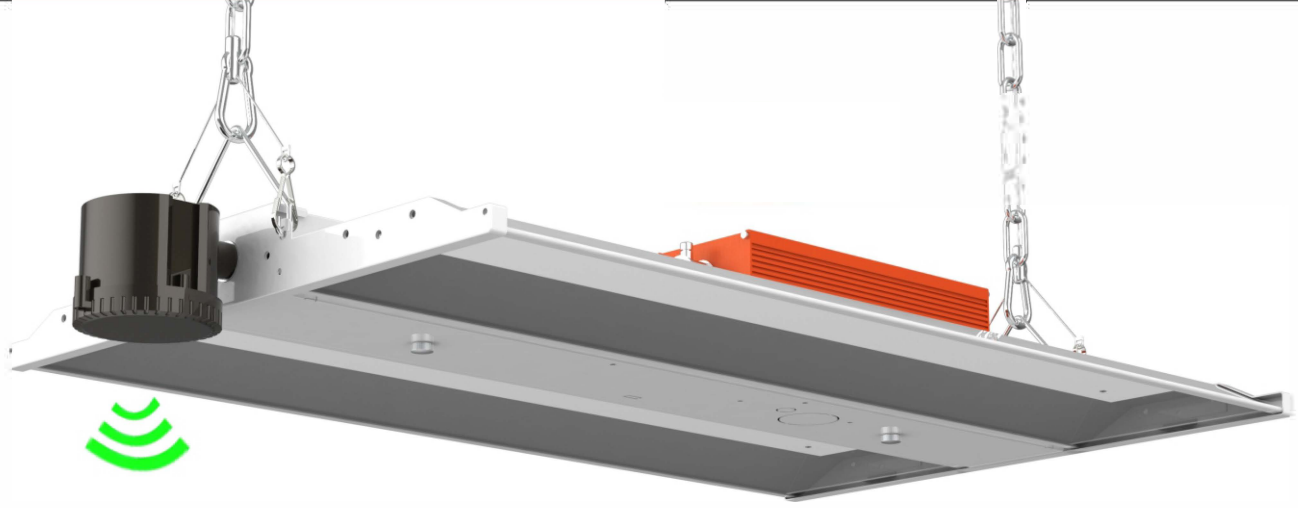


Dimensions:



Safety Instructions

- Risk of fire or electric shock. Luminaries wiring and electrical parts may be damaged when drilling for installation of LED emergency backup. Check for enclosed wiring and components.
- Risk of fire or electric shock. This LED emergency backup installation requires knowledge of luminaries electrical systems. If not qualified, do not attempt installation. Contact a qualified electrician.
- Before installing, make certain the AC power to the fixture is off.
- The electrical rating of this product is 100-347V. Installer must confirm that there is 100-347Vac the fixture before installation.
- To prevent electrical shock, only mate unit connector after installation is complete and before the AC power to the fixture is back on.
- This LED Emergency Backup unit requires an un-switched AC power source of 100-347V, 50/60 Hz.
- Do not let power supply cords touch hot surfaces.
- Do not mount near gas or electric heaters.



EMERGENCY LED DRIVER

Non-Remote version:

Test Switch & Indicator

Green flashing: charging mode

Green stable: charging full

Red stable: discharging mode

* Note: AC power on, click the test switch, switch to emergency mode and lasts 3S, then automatically back to the working mode of AC power supply