

LED CANOPY LIGHT - CPA SERIES

Introduction

- ◆ The CPA Series is the latest generation Canopy Light that is highly cost-effective and offers complete configurations. The CPA Series delivers 4,050 to 8,505 lumens which can replace 100W-250W HID luminaires.
- ◆ This light fixture is designed for surface mounting.

Features

Construction:

- ◆ Die-casting aluminum housing with four 1/2" NPT side conduit entries.
- ◆ Quick mount plate for surface mounting.
- ◆ Heat-resistant polycarbonate lens.

Electrical:

- ◆ This SKU offers 3 wattage selections (63/45/30W) and 2 CCTs.
- ◆ -40°F minimum operating temperature, 113°F maximum operating temperature.
- ◆ >0.9 power factor.
- ◆ 0-10V dimming driver is standard.

Typical Applications:

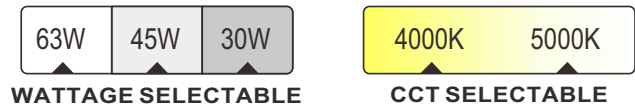
- ◆ Parking structures, storage areas, shopping area walkways, entryways.

Finish:

- ◆ Standard color is white.



Product Selectable:



Compliances:

- ◆ cULus listed for wet locations, max ambient temperature rating 113°F.
- ◆ DLC® (DesignLights Consortium) Qualified. Please refer to the DLC website for specific product qualifications at www.designlights.org.

Warranty:

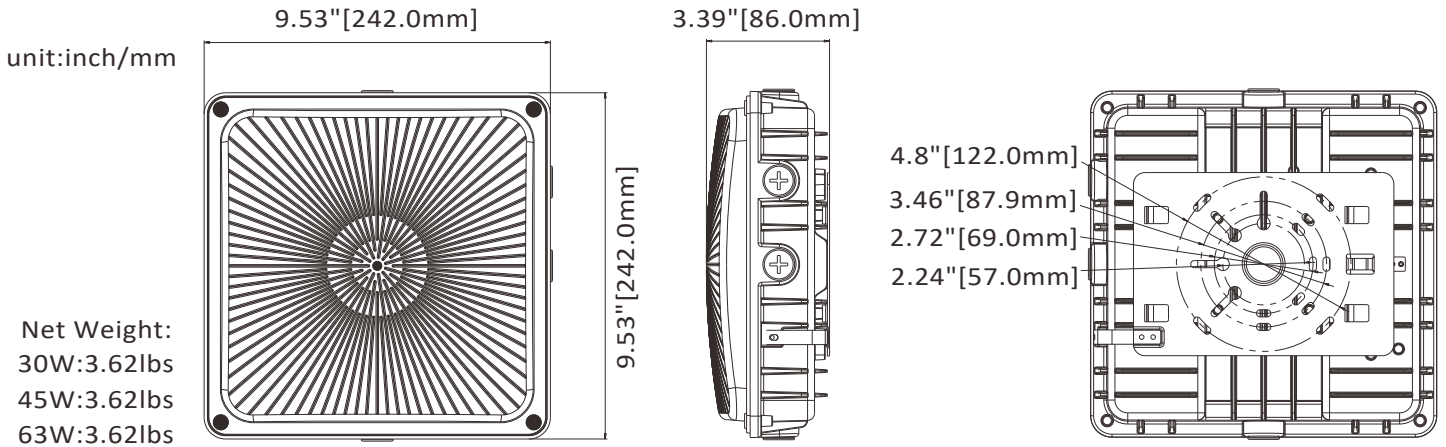
- ◆ Standard 5 years warranty.



Parameters

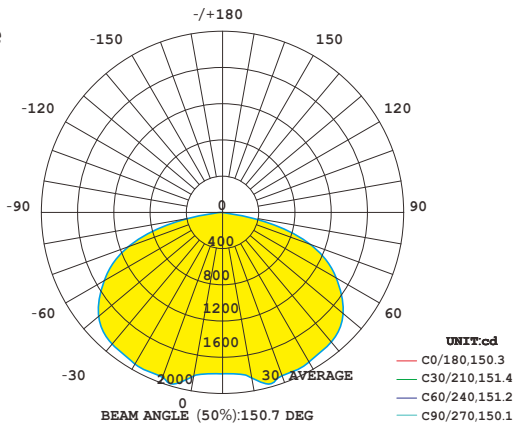
Model #	Wattage	Lumens @50K	Input Voltage	CRI	CCT
XS-CPA-63W-4050KUV-W	(63/45/30)W	4050lm/6075lm/8505lm	AC120-277V	>70	40/50K selectable

Dimension



Photometrics

Parking Garage



Electrical Data

Voltage (V)	XS-CPA-63W-4050KUV-W		
	X-CPA30W	X-CPA45W	X-CPA63W
	Current (A)	Current (A)	Current (A)
120V	0.25	0.38	0.53
208V	0.14	0.22	0.30
240V	0.12	0.19	0.26
277V	0.11	0.16	0.23