

LED T8 PLUG & GO™

INSTALL INSTRUCTIONS - ELECTRONIC BALLAST REQUIRED (UL TYPE A)

DO NOT INSTALL THIS LAMP IN A PRE - HEAT LUMINAIRE.

THIS LAMP ONLY OPERATES ON ELECTRONIC BALLASTS. IF LAMP DOES NOT LIGHT WHEN THE LUMINAIRE IS ENERGIZED, REMOVE LAMP FROM LUMINAIRE AND CONTACT LAMP MANUFACTURER OR QUALIFIED ELECTRICIAN.

CAUTION RISK OF FIRE - IF THE LAMP OR LUMINAIRE EXHIBITS UNDESIRABLE OPERATION (BUZZING, FLICKERING, ETC.), IMMEDIATELY TURN OFF POWER, REMOVE LAMP FROM LUMINAIRE AND CONTACT MANUFACTURER.

SAFETY INFORMATION:

- Check the lamp before installation, if there is any damage caused during transportation, do not install.
- Maintenance should be carried out by technical personnel only.
- Do not stare at the light source with bare eyes for a long time, or beam into another persons eyes.
- Do not place any objects on the lamp.
- Keep the lamp away from flame or high temperature objects.
- Risk of electrical shock. Only replace with same type of LED tube.
- If the glass lamp tube is broken, the lamp must be disposed of immediately.

This device complies with Part 15 of the FCC Rules. Operation is subject to the following two conditions: (1) this device may not cause harmful interference, and (2) this device must accept any interference received, including interference that may cause undesired operation.

Please completely comply with these instructions and notes to ensure that the product is operated in a safe condition.

WARNING: Risk of shock. Disconnect power before installation.

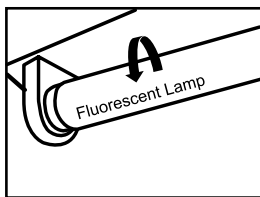
WARNING: RISK OF FIRE. USE ONLY IN PLACE OF FLUORESCENT LAMPS SPECIFIED ON LABEL RISK OF ELECTRIC SHOCK.

LED T8 lamp for use only with products described and installed in accordance with product specifications. LED T8 lamp to be operated with fluorescent electronic ballast.

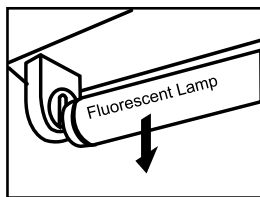
SUITABLE FOR DAMP LOCATIONS.

NOT FOR USE WITH EMERGENCY LIGHTING.

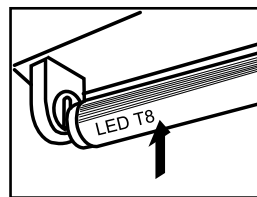
! WARNING DISCONNECT POWER BEFORE INSTALLING OR SERVICING.



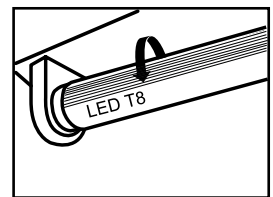
1. Make sure power is OFF.
2. Remove lens or diffuser (if applicable).



3. Remove existing fluorescent lamps from the luminaire.



4. Bring LED lamp to luminaire and insert lamp pins into luminaire lamp holders.



5. Rotate LED lamp until lamp locks in place. Ensure that the LED lamp front points away from the back of the luminaire.

6. Place lens or diffuser back in place (if applicable).
7. Power On.

Note: Install LED T8 replacement lamp one for each fluorescent lamp removed.

MAINTENANCE NOTES

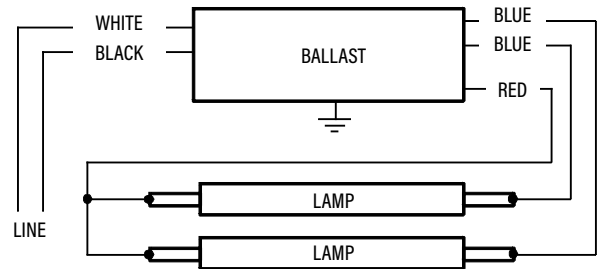
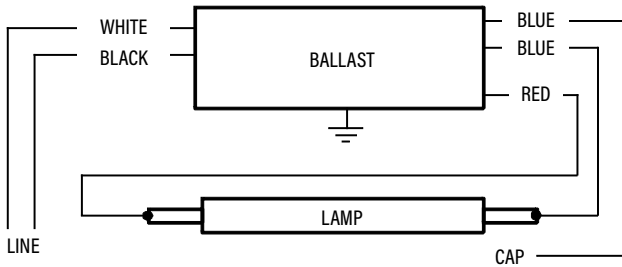
1. Disconnect lamp from power supply before any maintenance.
2. Clean luminaire with dry cloth.
3. Do not clean the lamp with corrosive chemicals.

LED T8 PLUG & GO™

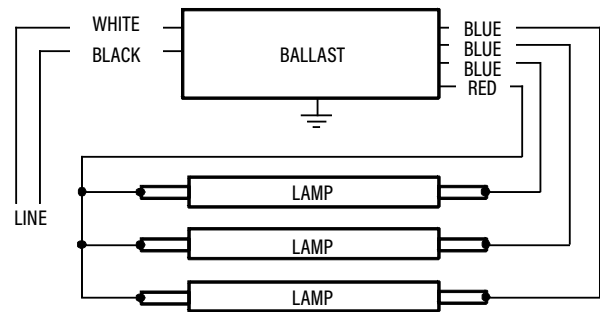
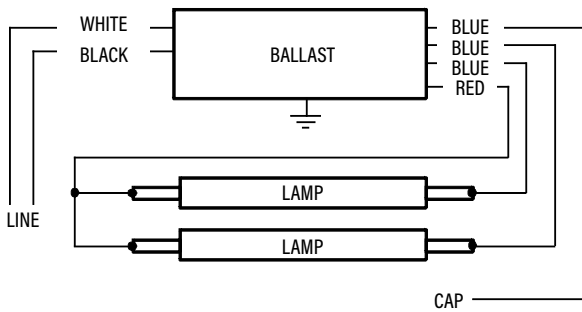
INSTALL INSTRUCTIONS - ELECTRONIC BALLAST REQUIRED (UL TYPE A)

INSTANT START BALLAST WIRING DIAGRAMS - CORRECT

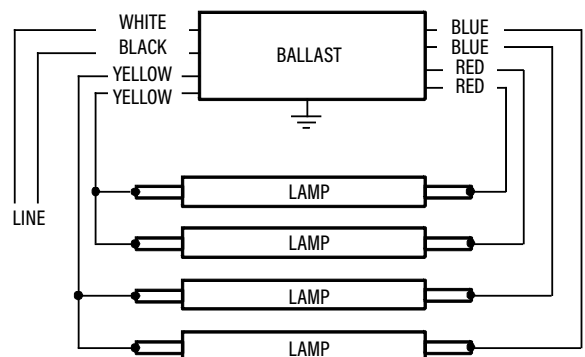
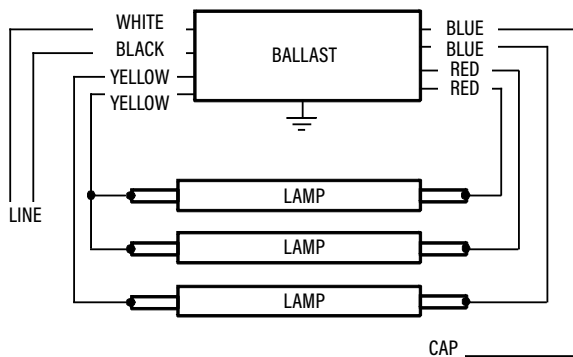
- TWO LAMP BALLAST WIRING - CORRECT



- THREE LAMP BALLAST WIRING - CORRECT



- FOUR LAMP BALLAST WIRING - CORRECT

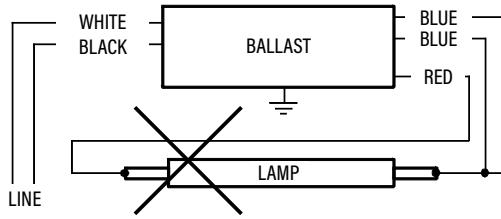


LED T8 PLUG & GO™

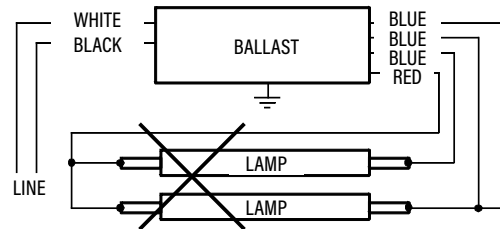
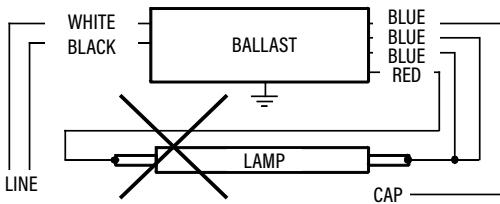
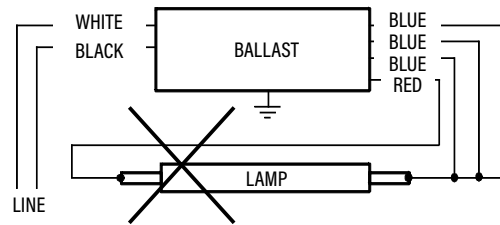
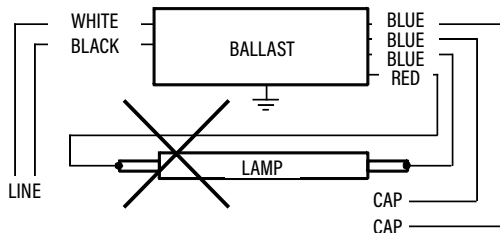
INSTALL INSTRUCTIONS - ELECTRONIC BALLAST REQUIRED (UL TYPE A)

INSTANT START BALLAST WIRING DIAGRAMS - INCORRECT

- TWO LAMP BALLAST WIRING - INCORRECT



- THREE LAMP BALLAST WIRING - INCORRECT



- FOUR LAMP BALLAST WIRING - INCORRECT

