

## T8 18W CLEAR BALLAST BYPASS TUBE LED LIGHT

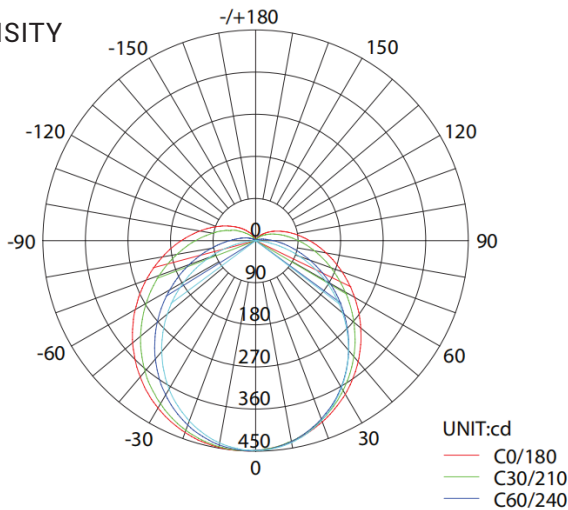
Convert to LED with Sunco for instant energy savings (up to 85%), 2 fluorescent tubes do the job of 1 LED Tube! Our T8 LED tubes to provide instant bright light (+120 lumens/watt), no flickering for maximum eye comfort.

### MODELS

T8\_BY\_C-18W-4K-50PK

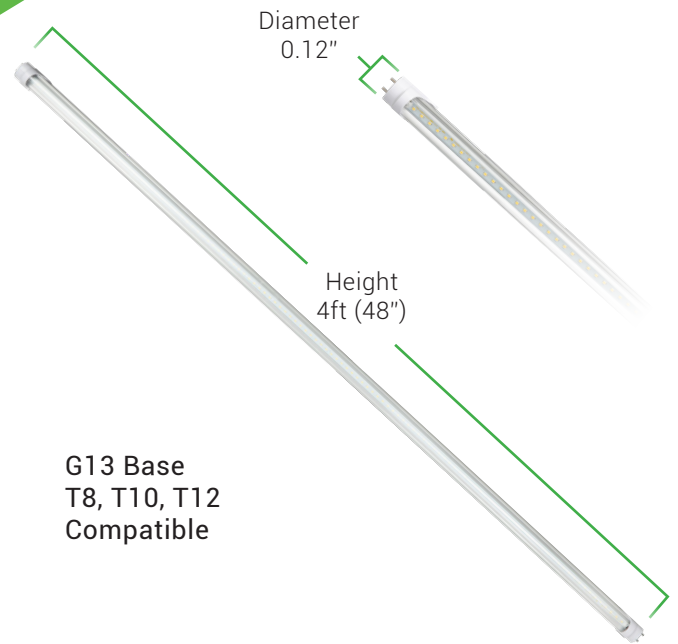
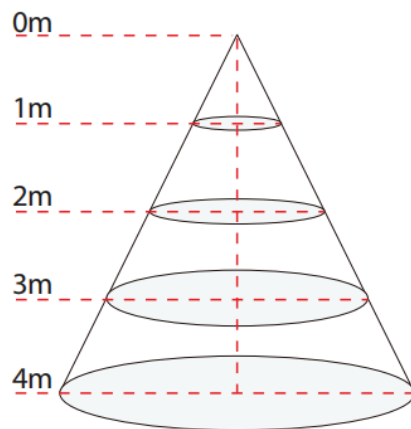
### LIGHT DISTRIBUTION ANGLE

#### LUMINOUS INTENSITY DISTRIBUTION DIAGRAM



#### NOTE:

The Curves indicate the illuminated area and the average illumination when the luminaire is at different distances.



G13 Base  
T8, T10, T12  
Compatible

### SPECIFICATIONS

Voltage	100/277V
Wattage	18W
Power Factor	0.95

### LIGHTING PERFORMANCE

Lumens	2000
Equivalency	32W
Color Temperature Changing	4000K
Color Rendering Index (CRI)	80
Beam Angle	150°
Dimmable	No
Efficiency (lm/w)	120.00
Frequency	60Hz

### ENVIRONMENT

Operating Temperature	4°F to 104°F
Suitable for Damp Locations Igress	Yes

### CONSTRUCTION

Housing	Plastic
Weight	1.54lbs
Fixture Color/Finish	Clear
Wiring	Single-Ended

### LIFESPAN

Average Life (Hours)	50,000+
Warranty	5 years
Switching Time	>50,000

### CERTIFICATIONS

