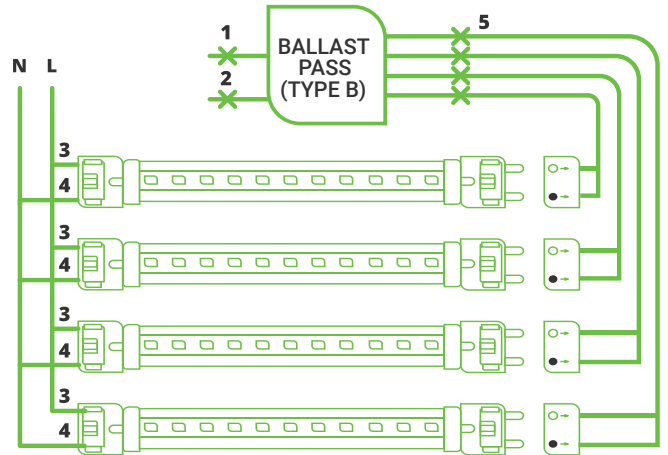


# T8 LED TUBE Ballast pass (type B)

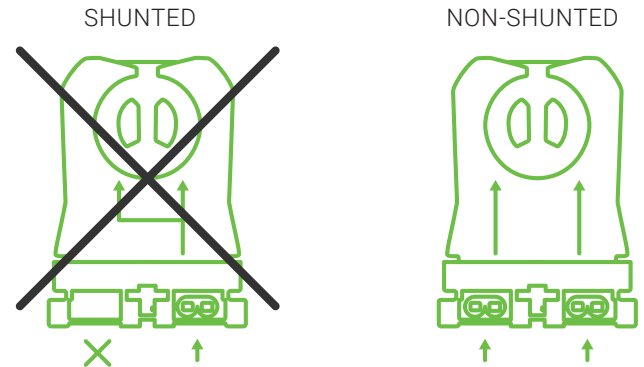
## Install Guide and Manual

### EASY INSTALLATION

1. Turn off the power through the main circuit breaker. Flipping the light switch to the "off" position does not necessarily end the flow of electricity.
2. Remove existing bulb(s) from fixtures.
3. Please note that with Single Ended Power (SEP) tubes, the pins on the non-energized or "dead" end of tube are only used to hold that end of the tube in the socket. You will need non-shunted tombstones.
4. Make sure the wires going to the G13 socket are in the "live" end of the tube.
5. Locate your ballast, in many T8 fixtures, the ballast is covered by a casing.
6. Disconnect all of the wiring from both sides of the ballast, remove the ballast.
7. Cut the socket lead wires 1, 2, 3, 4, and 5. You will only need one set of sockets for single-ended tubes.
8. Strip one inch of the colored insulation off the remaining wires.
9. Connect the live and neutral wires (black and white) from the power source to the corresponding socket (blue and red) wiring using push-in connectors or wire nuts that screw on.



Sunco's T8 tubes use non-shunted tombstones



### SPECIFICATIONS

Voltage	120/277V	
Wattage	15W	18W
Current	0.14/0.06A	0.165/0.075A
Power Factor	0.968	
Lumens	1800	2200
Color Temperature	4000K, 5000K, 6000K	
Color Rendering Index (CRI)	80	
Beam Angle	120°	
Fixture Color/Finish	Clear	Clear/Frosted

### WARNINGS

- To reduce the risk of fire, electric shock or injury to people:
- Rewiring fluorescent fixtures for use with LED should only be performed by individuals who have been properly trained to perform basic electrical maintenance and repair.
  - Do not make or alter any open holes in an enclosure of wiring or electrical components during kit installation.
  - Check for damage during shipping prior to install. If the product is damaged, do not use it.
  - Turn off the switch and circuit breaker before installing this LED light fixture.
  - Tubes are not compatible with photo controls, occupancy sensors, or timing devices.
- Please review instructions carefully before proceeding.