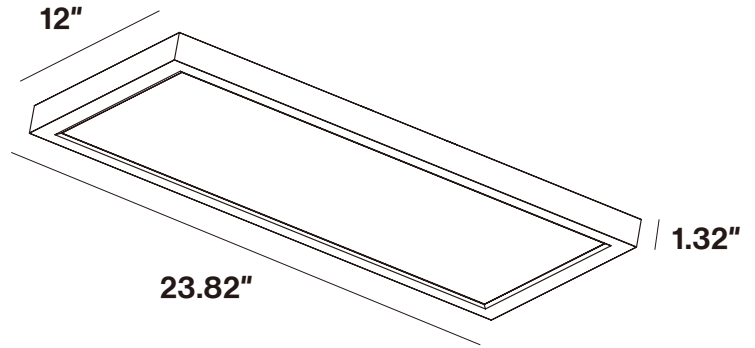


1X2 SELECTABLE CEILING PANEL

Easily replace outdated tubes and fixtures with this dimmable, lightweight 1x2 LED Panel. Optimize focus and productivity in your space by adjusting the brightness (16W, 18W, 20W) and selecting the best color temperature (3500K, 4000K, 5000K) to suit your needs.

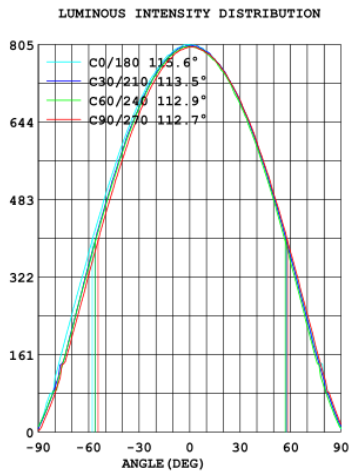


MODELS

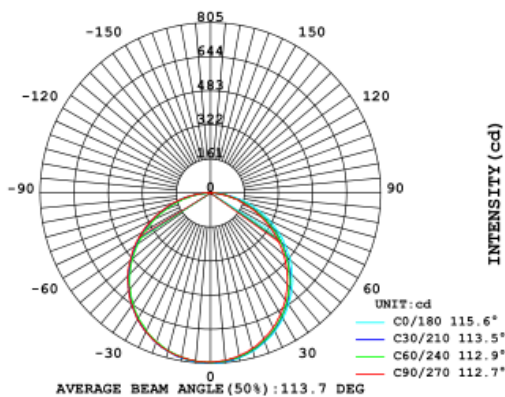
- PN12-DU-WH-3550K-1PK
- PN12-DU-WH-3550K-2PK
- PN12-DU-WH-3550K-3PK

LIGHT DISTRIBUTION ANGLE

LUMINOUS INTENSITY DISTRIBUTION



LUMINOUS INTENSIT DISTRIBUTION



NOTE: The curves indicate the illuminated area and the average illumination at different distances.

CERTIFICATIONS



SPECIFICATIONS

Voltage	120VAC
Selectable Wattage	16W/18W/20W
Power Factor	>0.9

LIGHTING PERFORMANCE

Lumens	1600LM/1800LM/2000LM
Selectable Color Temperature	3500K/4000K/5000K
Color Rendering Index	80
Beam Angle	120°
Dimmable	Yes
Efficacy	100 lm/w
Frequency	60Hz

ENVIRONMENT

Operating Temperature	-4°F to 122°F
Moisture Rating	Damp Rated

CONSTRUCTION

Housing Material	Aluminum+Galvanized Iron Plate
Weight	5.5 lbs

LIFETIME

Average Lifetime	50,000 hrs
Switching Time	100,000
Warranty	7 Years