

NEW CONSTRUCTION 6" LED CAN AIRTIGHT IC HOUSING

Install this IC Rated and air tight Recessed New Construction 6" Lighting Can inside framing, surrounded by insulation. The unit secures with adjustable bar hangers prior to installing the drywall. This 6" can features an airtight housing and gasket ring to further protect your office or residential building from A/C or heating leaks.

MODELS

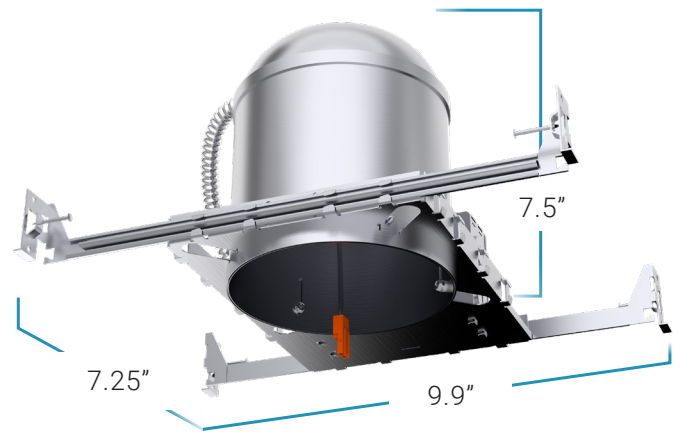
SUN-6NC/IC	SUN-6NC/IC10PK
SUN-6NC/IC4PK	SUN-6NC/IC12PK

CONSTRUCTION

Housing	Aluminum
Wires	Copper & Plastic Tube
Junction Box	Galvanized Steel
Flexible Conduit	Plated Steel
Ideal Connector #30-682M (Male)	Plastic & Copper
Hanger Bar	Galvanized Steel
"C" Clip	Galvanized Steel-Tube
Weight	1.8 lbs

Sunco is proudly based in the USA, offering quality products at affordable prices and knowledgeable support specialists.

CERTIFICATIONS



SPECIFICATIONS

Voltage	120V/277V
Wattage	24W (Max)

HOUSING

Housing can be removed from frame for access to the junction box.

JUNCTION BOX

Listed for through branch circuit wiring.

Contains one 1-1/8" knockout, six 7/8" knockouts, and four Romex pryouts with strain relief.

BAR HANGER

Pre-installed nails easily install in regular lumber and engineered lumber.

Bar hangers are adjustable from 13-5/8" to 25" and can be repositioned 90 degrees on plaster frame.

ENVIRONMENT

Operating Temperature	Max 194°F
Suitable for Locations Ingress	Wet & Damp

LIFESPAN

Warranty	5 Years
----------	----------------