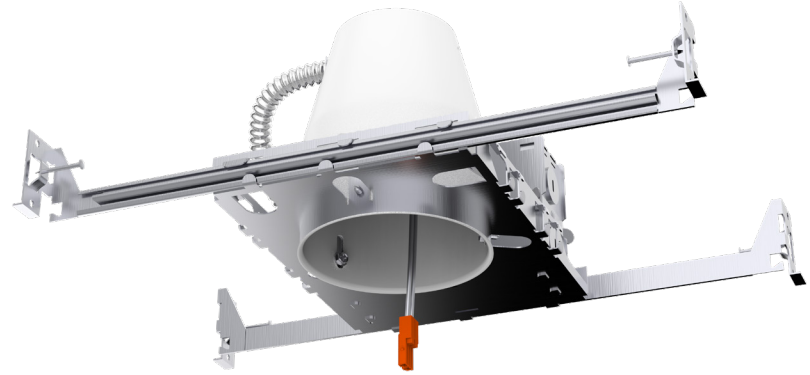


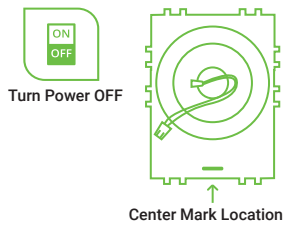
# NEW CONSTRUCTION CANS 4 INCH

## Install Guide and Manual

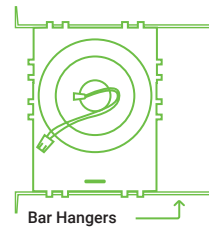


### EASY INSTALLATION

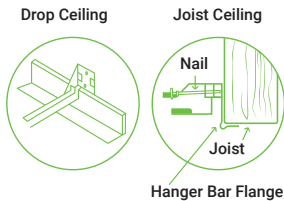
**Required Tools:** Ladder, Hammer, Wire Clippers/Strippers, Pliers, Flathead Screwdriver, Pencil, Compass, Tape Measure, Drywall Saw.



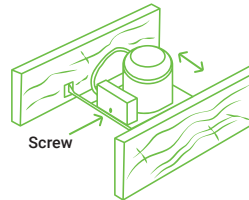
1. Turn off the circuit breaker.
2. Determine placement of can between joists or drop ceiling grid. Consider accessibility to electrical supply.
  - Refer to the center mark on steel frame (see image).
  - Mark center line on joist or grid with pencil.
  - If aligning multiple lights in a row, consider use of an architectural element as a reference point.



3. Bar hangers come preinserted on the steel frame.
  - Convenient slots on all sides of fixture allow you to reposition bar hangers to suit your needs.



4. Secure bar hangers to joist or grid.
  - **Joist Ceiling** - Extend bar hangers to fit between joists. Hanger bar flange should be level with bottom of joist (see image). Position fixture temporarily by hammering preinstalled nails into joists.
  - **Suspended/Drop Ceilings** - Extend bar hangers 1" past T-bars, then rest fixture on T-bars. Secure fixture to T-bars with wire.



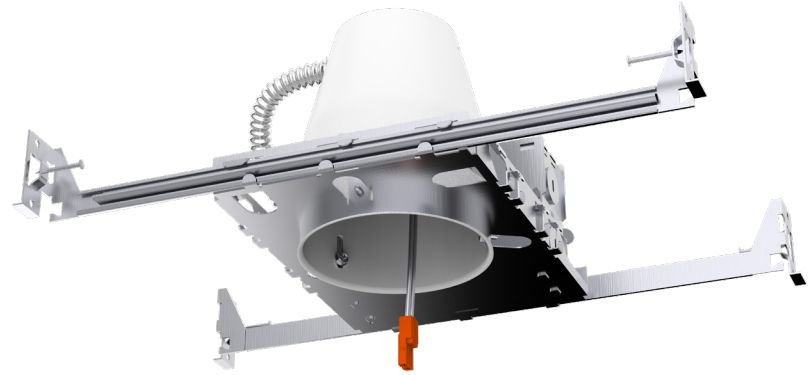
5. Slide housing along hangers to reposition can. Align housing center mark with your pencil mark.
  - Secure housing on hangers by tightening indicated screw
  - If using joists, finalize placement by driving nails in fully.

### WARNING

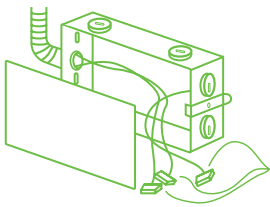
To reduce the risk of fire, electric shock or injury to people:

- This product should be installed in accordance with the applicable installation code by a person familiar with the construction and operation of the product and the hazards involved.
- Abide by related regional and local laws or regulations.
- Proper grounding is required to ensure safety.
- Check for damage during shipping prior to install. If the product is damaged, do not use it.
- Turn off the switch and circuit breaker before installing this LED light fixture.
- To ensure efficient light, regularly clean the light panel. Do not clean with harsh solvents.
- Use safety precautions. Safety eyeglasses and gloves are recommended.
- Please review instructions carefully before proceeding.

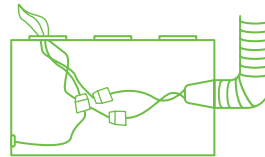
**IMPORTANT:** Fixtures are classified for insulated ceilings (type IC and type-T) and for suspended ceiling (type-S).



## EASY INSTALLATION (Continued)



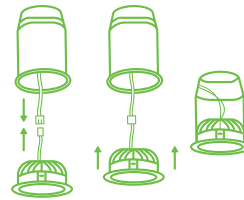
- 6. Open the junction box by releasing the clamp. Remove a knockout. Feed supply wires through knockout.**
- Consider addition of a tension reliever (not included) to secure wires to j-box or adding wire staples (not included) for cable management outside the j-box.



- 7. Strip insulation and connect supply wires to can wires with included push in connectors.**
- Live to Live (black)
  - Neutral to Neutral (white)
  - Ground to Ground (yellow/green)
- 8. Tuck wires into j-box. To replace the cover, slide tab on j-box lid into the slot then push to clamp opposite side.**



- 9. Use a compass and your can's center mark to determine hole placement. Cut a 4.33" diameter hole in the ceiling with a drywall saw.**



- RETROFIT INSTALLATION**
- 10. Once ceiling is installed:**
- Attach retrofit to housing with the TP24 connector
  - Line up trim ring with the can opening
  - Push downlight up into the housing until it is secured
- 11. Turn on circuit breaker, and test the light.**

## SPECIFICATIONS

Voltage	120/277V
Max. Wattage Accepted	18W
Retrofit Size Accepted	4" Diameter
Hanger Adjustment Range	13-5/8" to 25"
Operating Temperature	Max 194°F
Suitable for Locations Ingress	Wet & Damp
Wires	Copper & Plastic Tube

Ideal Connector # 30-682M (male)	Plastic & Copper
Flexible Conduit	Plated Steel
Junction Box/Hanger Bar/Plaster Frame	Galvanized Steel
Housing	Cold Rolled Steel
Weight	1lb 15oz
Warranty	10 years