

MOTION SENSOR SHOP LIGHT 40W

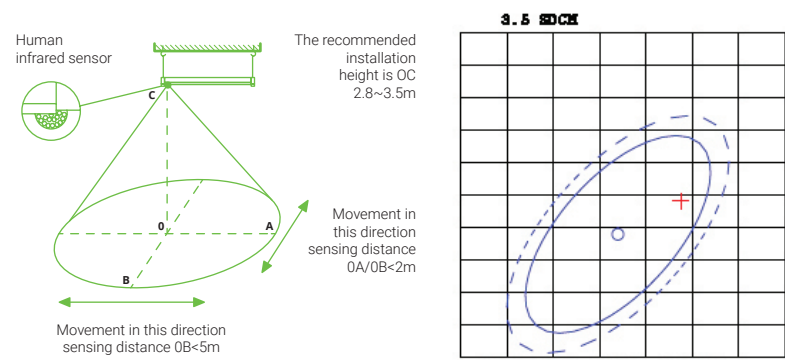
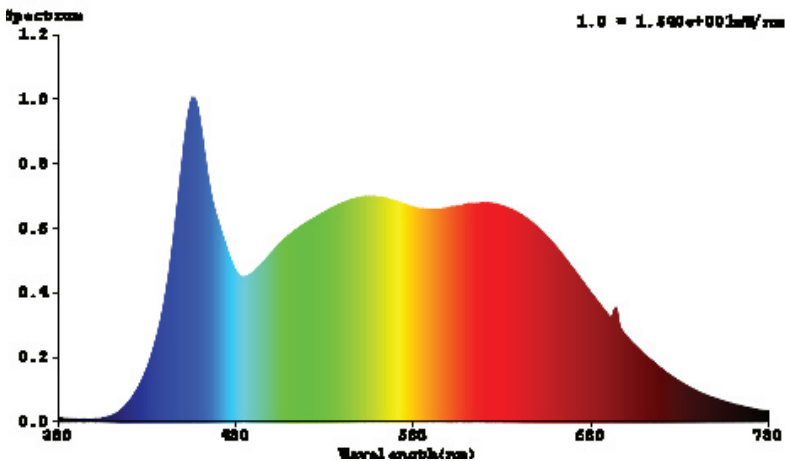
The built-in PIR sensor on this LED Shop Light with frosted cover turns on when motion is detected. Automatically turn off 10 minutes after motion stops. Link up to 4 shop lights. Provides 4100 lumens of instant on light that is equivalent to 260W yet draws only 40W.

MODELS

SH_M-40W-5K-#

LED'S SPECTRUM WAVE FORM

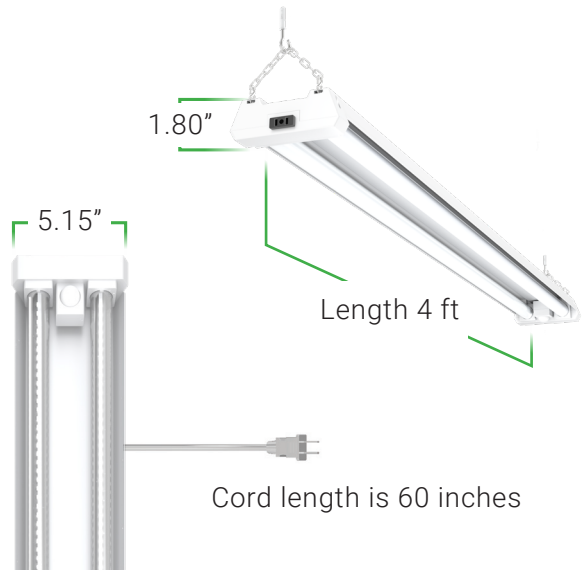
SPECTRUM DISTRIBUTION



Sensor Detect Distance

CIE1931 Chromaticity Diagram

CERTIFICATIONS



SPECIFICATIONS

Voltage	120V
Wattage	40W
Current	0.340A
Power Factor	0.968

LIGHTING PERFORMANCE

Lumens	4100
Equivalency	260W
Color Temperature	5000K
Color Rendering Index (CRI)	80
Beam Angle	120°
Dimmable	No
Efficiency (lm/w)	100.00
Frequency	60Hz

ENVIRONMENT

Operating Temperature	4°F to 104°F
Suitable for Damp Locations Ingress	Yes

CONSTRUCTION

Housing	Aluminum+PC
Weight	2.70lbs
Fixture Color/Finish	Clear
Wiring	5' plug-in cord
Linkability	Up to 4

LIFESPAN

Average Life (Hours)	50,000+
Warranty	7 years
Switching Time	>50,000