

FLAT SHOP LIGHT 40W

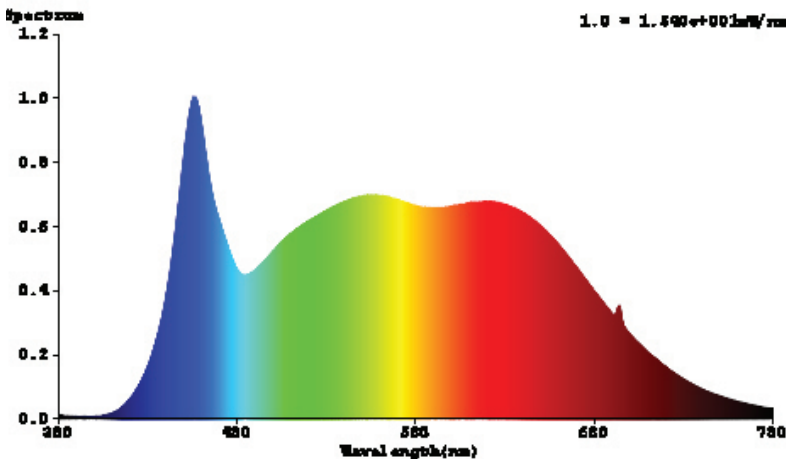
This suspension mounted 40W LED Flat Shop Light includes integrated LEDs with a clear cover. You can link up to 8 shop lights together. Ideal for task lighting over workbenches, in labs, schools, and more with its plug and play, instant on lighting. It's easy to install and includes mounting hardware to suspend this durable light from chains.

MODELS

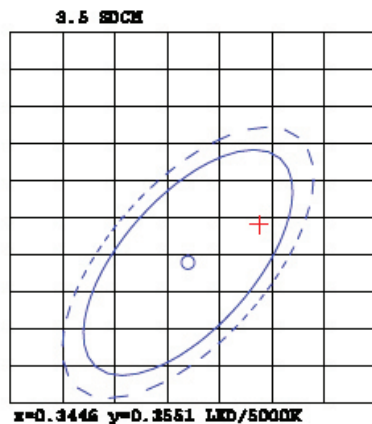
SHF_C-40W-5K-#

LED'S SPECTRUM WAVE FORM

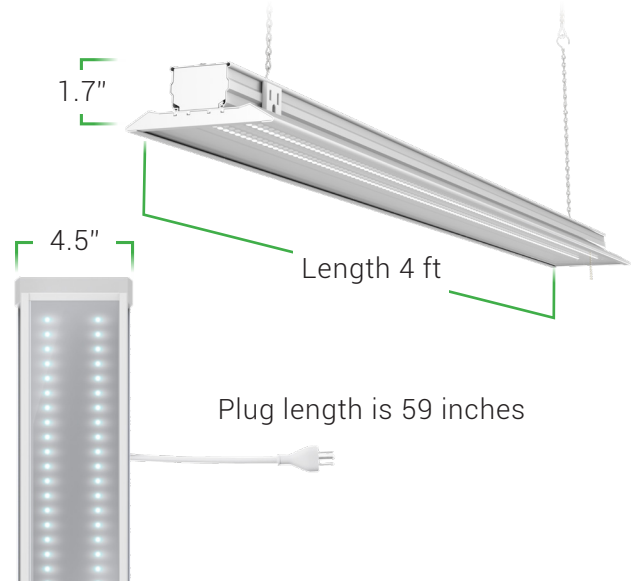
SPECTRUM DISTRIBUTION



CIE1931 Chromaticity Diagram



CERTIFICATIONS



SPECIFICATIONS

| | |
|--------------|--------|
| Voltage | 120V |
| Wattage | 40W |
| Current | 0.340A |
| Power Factor | 1.0 |

LIGHTING PERFORMANCE

| | |
|-----------------------------|--------|
| Lumens | 4500 |
| Equivalency | 300W |
| Color Temperature | 5000K |
| Color Rendering Index (CRI) | 80 |
| Beam Angle | 120° |
| Dimmable | No |
| Efficiency (lm/w) | 110.00 |
| Frequency | 60Hz |

ENVIRONMENT

| | |
|-------------------------------------|--------------|
| Operating Temperature | 4°F to 104°F |
| Suitable for Damp Locations Ingress | Yes |
| IP Rating | IP30 |

CONSTRUCTION

| | |
|----------------------|--------------------|
| Housing | Aluminum+PC |
| Weight | 2.70lbs |
| Fixture Color/Finish | Clear |
| Wiring | 5' plug-in cord |
| Linkability | Up to 8 shopliffts |

LIFESPAN

| | |
|----------------------|---------|
| Average Life (Hours) | 50,000+ |
| Warranty | 7 years |
| Switching Time | >50,000 |