

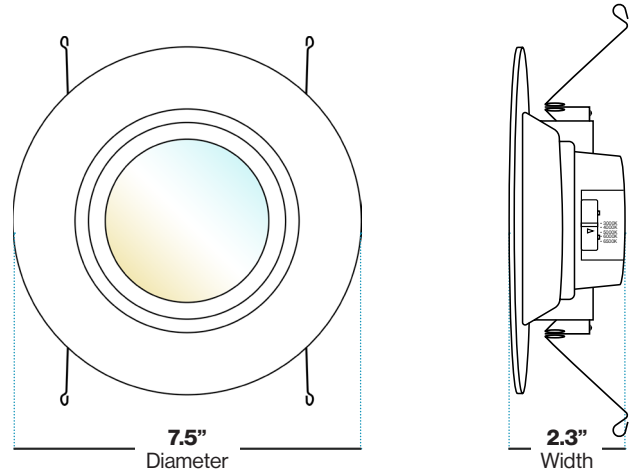


# 5/6" SELECTABLE LED RETROFIT

Enjoy bright light in just the right hue with this dimmable retrofit fixture. Use the adjustable spring clips to install it in 5/6 inch recessed cans and use the CCT switch to choose from 5 color temperatures (3000K, 4000K, 5000K, 6000K, 6500K) during installation.

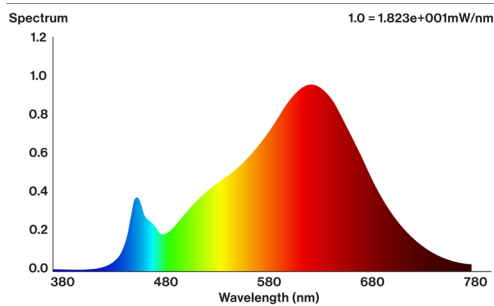
## MODELS

DL\_SMDR56-13W-3K\_65K-#PK



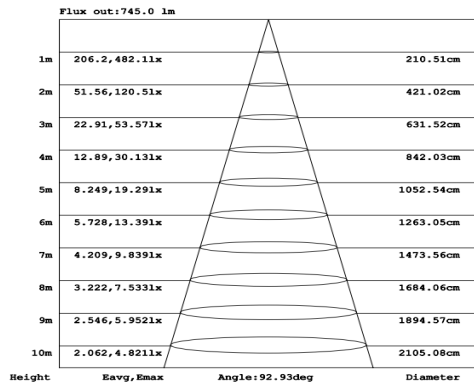
## LIGHT DISTRIBUTION ANGLE

### SPECTRAL DISTRIBUTION



### ILLUMINANCE CONE DIAGRAM (AAI FIGURE)

NOTE: The curves indicate the illuminated area and the average illumination at different distances.



## SPECIFICATIONS

Voltage	120 VAC
Wattage	13W
Current	0.13A
Power Factor	0.7

### LIGHTING PERFORMANCE

Lumens	965
Equivalency	60W
Color Temperature	3000K - 6500K
Color Rendering Index	80 CRI
Beam Angle	90°
Dimmable	Yes
Efficacy	66 lm/w
Frequency	60

### ENVIRONMENT

Operating Temperature	-4°F to 104°F
Moisture Rating	Damp

### CONSTRUCTION

Housing Material	Aluminum + PC
Weight	0.4 lbs

### LIFETIME

Average Lifetime	50,000 hrs
Switching Time	10,000
Warranty	7 Years

## CERTIFICATIONS

