

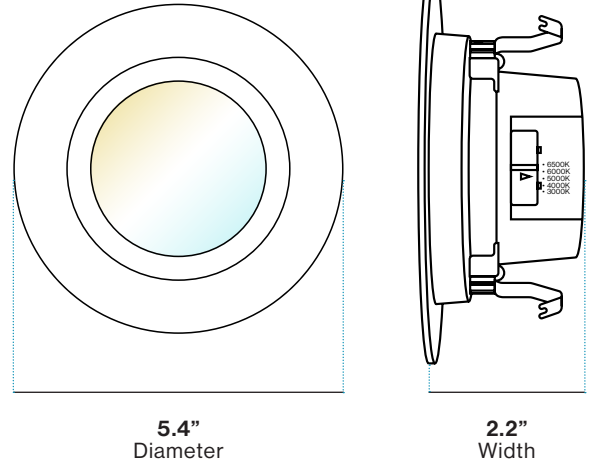


4" SMOOTH SELECTABLE LED RETROFIT

Enjoy bright light in just the right hue with this dimmable retrofit fixture. Install it in existing 4-inch recessed cans and use the switch on the back to choose from 5 color temperatures (3000K, 4000K, 5000K, 6000K, 6500K) during installation.

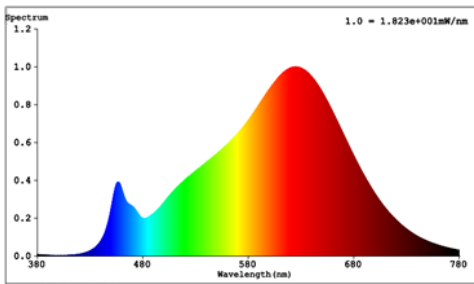
MODELS

DL_SMDR4-11W-3K_65K-#PK



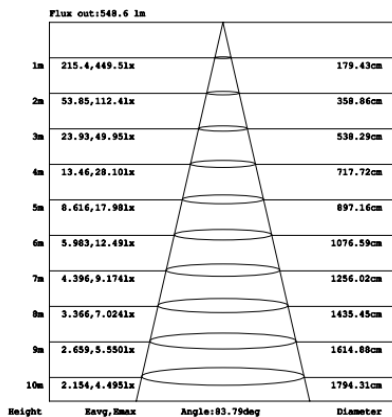
LIGHT DISTRIBUTION ANGLE

SPECTRAL DISTRIBUTION



ILLUMINANCE CONE DIAGRAM (AAI FIGURE)

NOTE: The curves indicate the illuminated area and the average illumination at different distances.



CERTIFICATIONS



SPECIFICATIONS

Voltage	120 VAC
Wattage	11W
Current	0.11A
Power Factor	.07

LIGHTING PERFORMANCE

Lumens	660
Equivalency	75W
Color Temperature	3000K - 6500K
Color Rendering Index	90 CRI
Beam Angle	90°
Dimmable	Yes
Efficacy	66 lm/w
Frequency	60Hz

ENVIRONMENT

Operating Temperature	-4°F to 104°F
Moisture Rating	Damp

CONSTRUCTION

Housing Material	Aluminum + PC
Weight	0.27 lbs

LIFETIME

Average Lifetime	50,000 hrs
Switching Time	10,000
Warranty	7 Years