

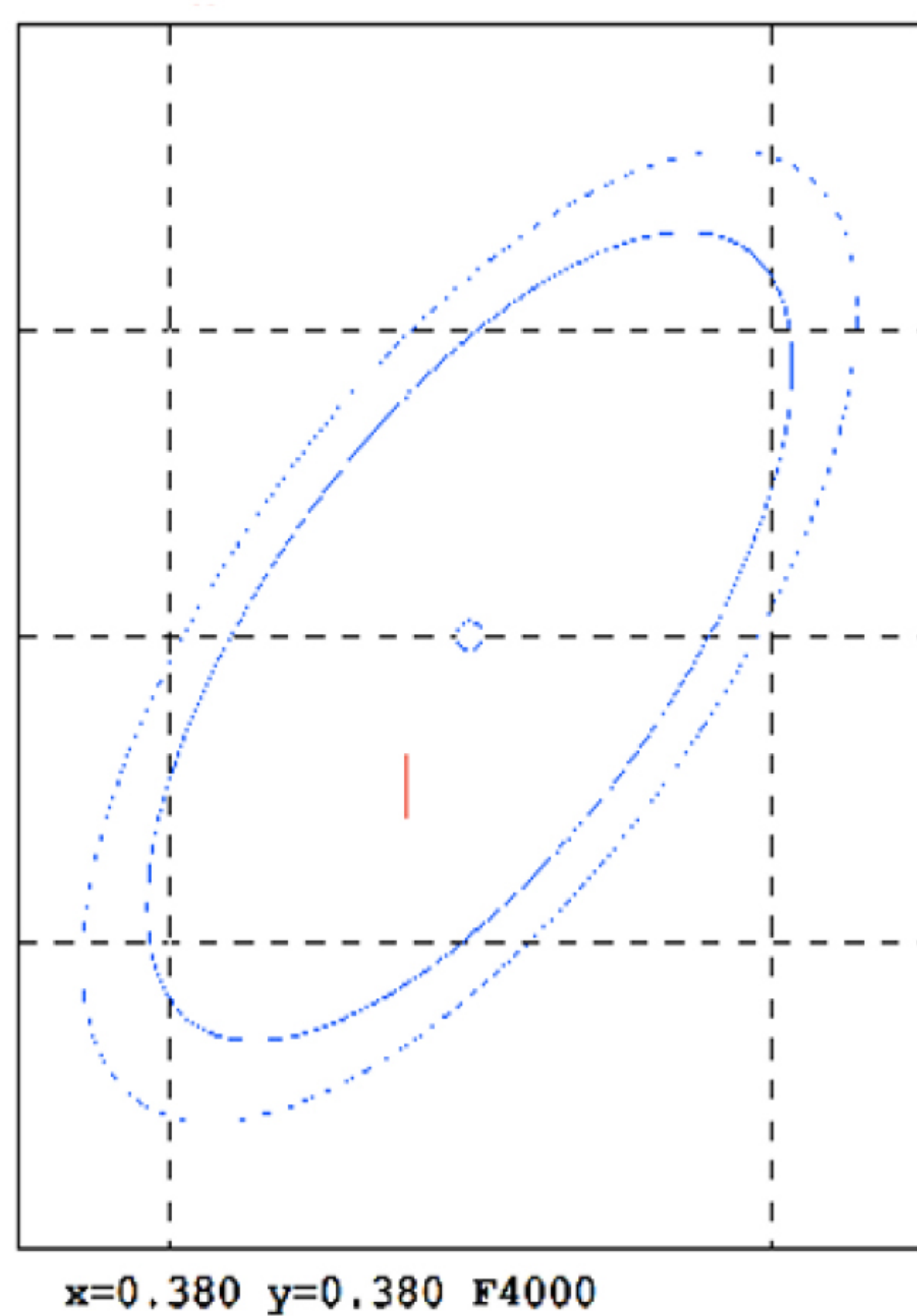
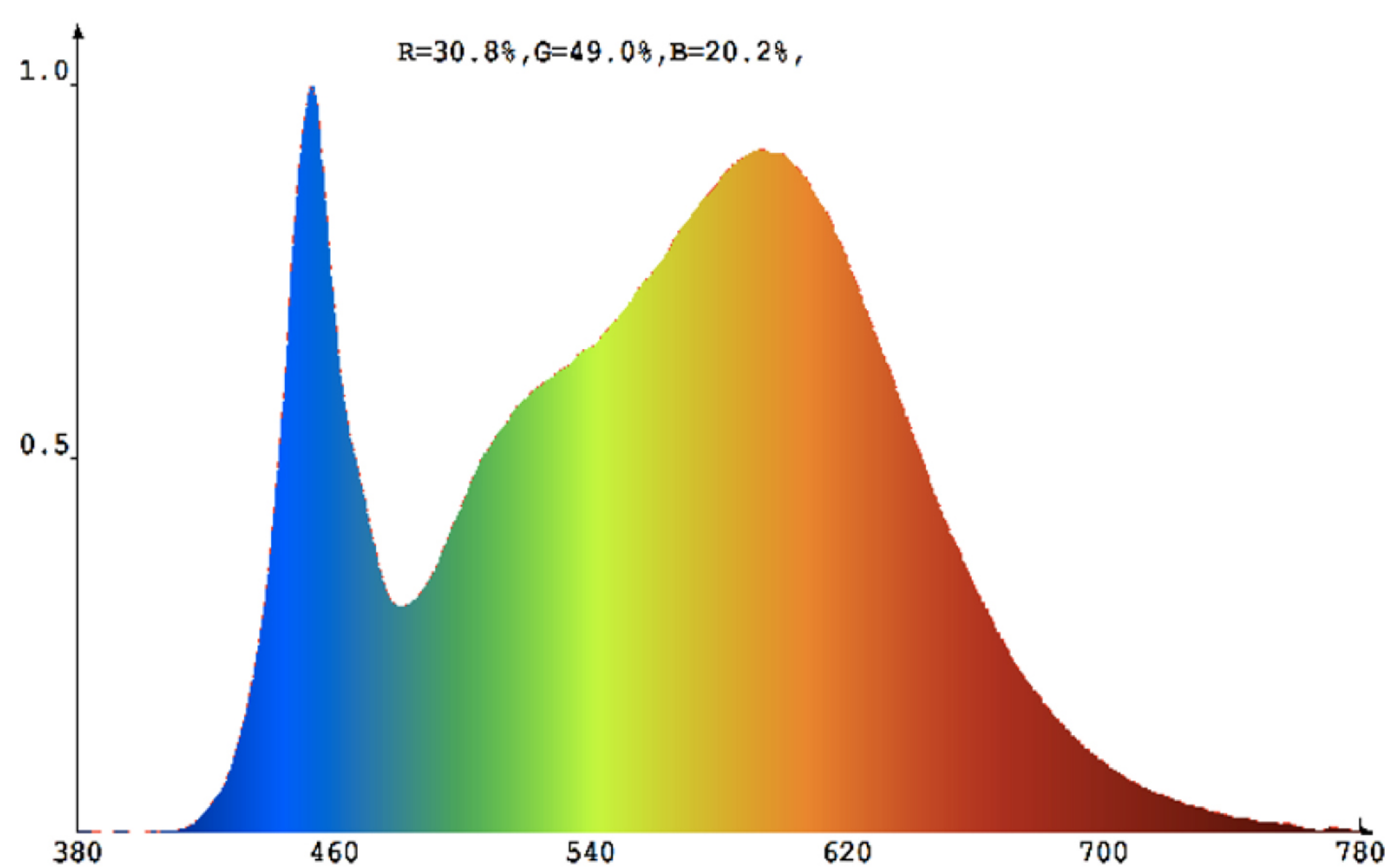
## LED Solar Sidewalk Light

Powered by the sun, Sunco's dusk-to-dawn LED Solar Sidewalk Lights require no electricity. They automatically turn on/off, providing hassle-free outdoor luminance. With their climate-resistant design, they make sidewalks, pathways, gardens, & more shine - improving safety & security in any weather.

### MODELS

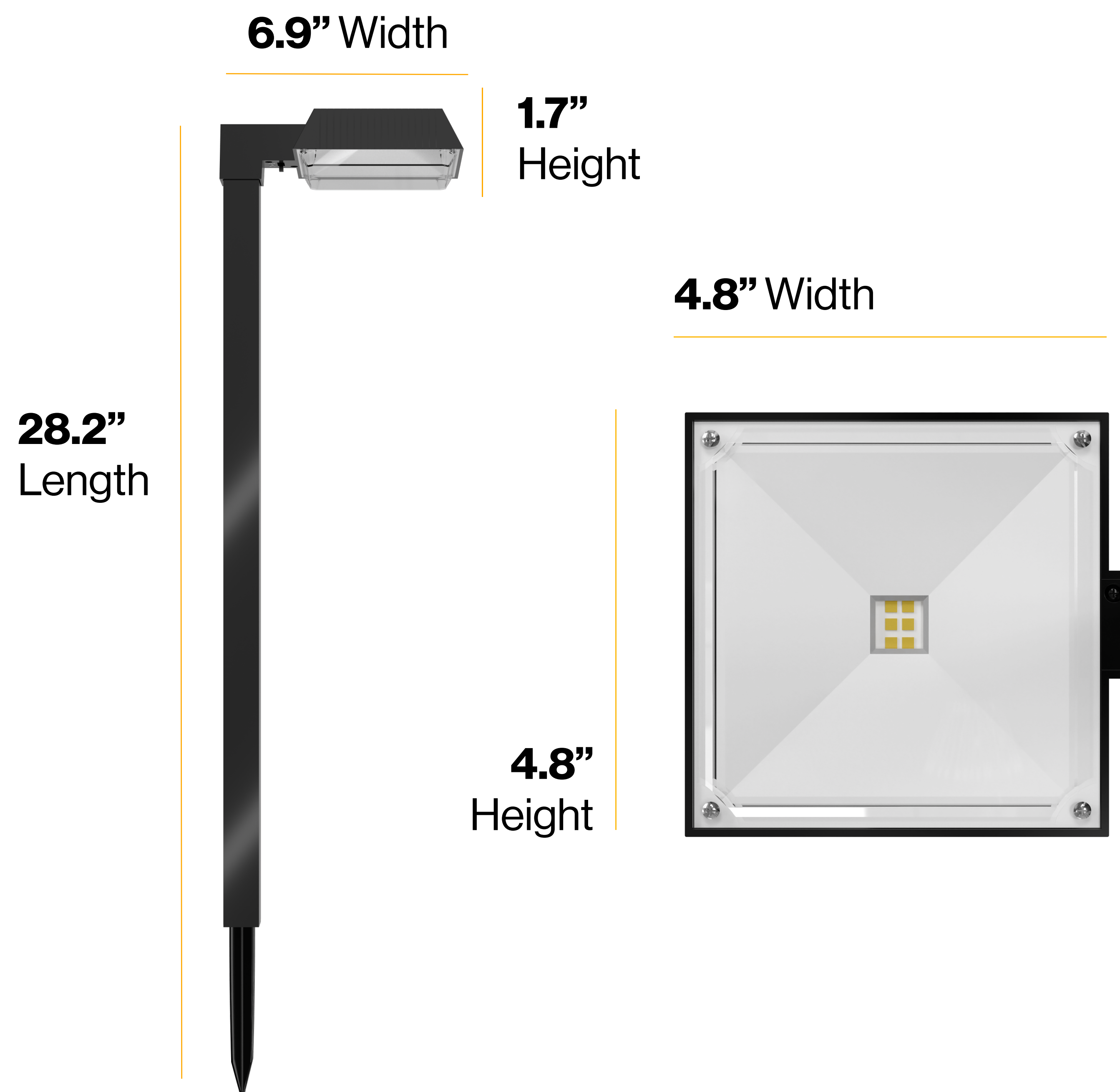
GD\_BC\_SR-BK-3070K-

### LIGHT DISTRIBUTION ANGLE



NOTE: The curves indicate the illuminated area and the average illumination at different distances.

### CERTIFICATIONS



### SPECIFICATIONS

|              |        |
|--------------|--------|
| Voltage      | 4.2VAC |
| Wattage      | 2W     |
| Power Factor | 0.6    |

### LIGHTING PERFORMANCE

|                   |                   |
|-------------------|-------------------|
| Lumens            | 150lm             |
| Equivalency       | 25W               |
| Frequency         | 60 Hz             |
| Beam Angle        | 90°               |
| Dimmable          | NO                |
| Efficacy          | 65                |
| Color Temperature | 3000K,5000K,7000K |
| Lighting Coverage | 21.5-32 sq ft     |

### ENVIRONMENT

|                       |               |
|-----------------------|---------------|
| Operating Temperature | -4°F - 104° F |
| Moisture Rating       | Wet Rated     |

### CONSTRUCTION

|                  |               |
|------------------|---------------|
| Housing Material | Polycarbonate |
| Weight           | 0.79 lbs      |

### LIFETIME

|                  |           |
|------------------|-----------|
| Average Lifetime | 8,760 Hrs |
| Warranty         | 1 Years   |