

LED CANOPY MCP05



Traditional style does not detract from current building aesthetics. The economical MCP05 provides years of maintenance-free general illumination for outdoor applications. Ideal for entrances, parking garage, covered walkways and loading docks.



SPECIFICATIONS

Construction

- Sealed die-casting profile for indoor and outdoor applications.
- Casting thermally conducts LED heat to optimize performance and long life.
- With corrosion-resistant powder coating that provides protection and architectural appearance while adapting well to the environment in the garage.

Optics

- Lumen output from 3800-8000lm with efficacy up to 141lm/W.
- Color temperatures are available in standard 4000K, 5000K (70 CRI) configurations.
- Parking Garage Photometry provides a wide light distribution and greater uniformity.

Electrical

- Universal 120-277VAC input voltage.
- 0-10V dimming standard with a dimming range of 100% to 10%.
- Both drivers have a power factor >90%, THD <20%.
- Operating temperature is -40°F to 104°F.

Lifespan

- Estimated 50,000-hour LED lifespan based on IES LM-80 results and TM-21 calculations.

Warranty

- Five-year limited warranty.

Certifications

- DesignLights Consortium™ Qualified.
- UL cUL wet location listed.

Note: DesignLights Consortium™ Qualified and classified for DLC Premium, refer to www.designlights.org for details.

Housing

One piece die cast housing better waterproofing, suitable for both indoor and outdoor application.

Mounting Bracket

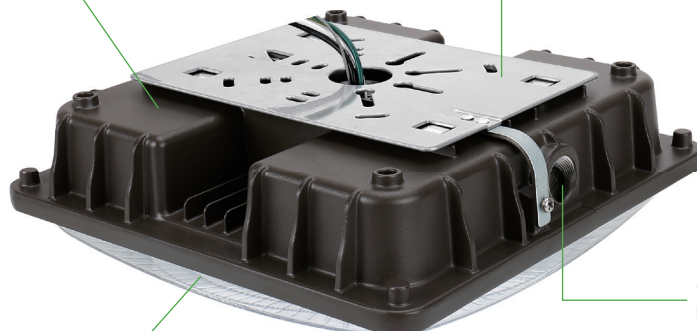
Suitable for J-BOX mounting, and easy for installation, also support pendant mounting, wires coming out from the back for easier wire connections.

Photometry

Parking Garage Photometry and polycarbonate optical lens with heat resisting.

1/2inch knock hole

Support wires coming from the hole for easier wire connections.



PERFORMANCE DATA

SYSTEM WATTS	PHOTOMETRY	VOLTAGE	LUMENS 4000K(70CRI)	LPW 4000K(70CRI)	LUMENS 5000K(70CRI)	LPW 5000K(70CRI)
27W	Parking Garage	120-277VAC	3750 lm	139 lm/W	3800 lm	141 lm/W
40W	Parking Garage	120-277VAC	5350 lm	134 lm/W	5450 lm	136 lm/W
60W	Parking Garage	120-277VAC	7800 lm	133 lm/W	8000 lm	133 lm/W

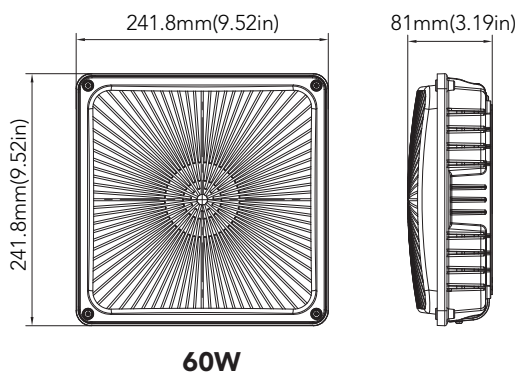
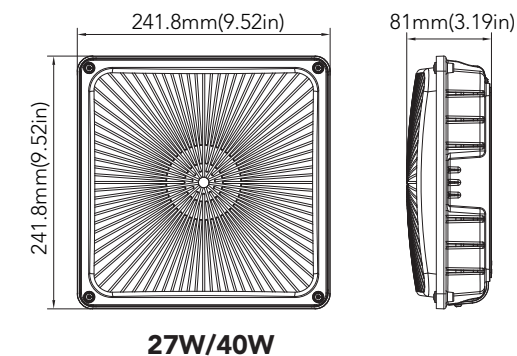
ELECTRICAL DATA

NUMBER OF DRIVERS	DRIVER CURRENT (mA)	NOMINAL POWER (W)	INPUT VOLTAGE (V)	CURRENT (Amps)
1	670	27	120	0.23
		27	208	0.13
		27	240	0.11
		27	277	0.10
1	980	40	120	0.33
		40	208	0.19
		40	240	0.17
		40	277	0.14
	1020	40	347	0.12
		40	480	0.08
1	1500	60	120	0.50
		60	208	0.29
		60	240	0.25
		60	277	0.22
	1600	60	347	0.17
		60	480	0.13

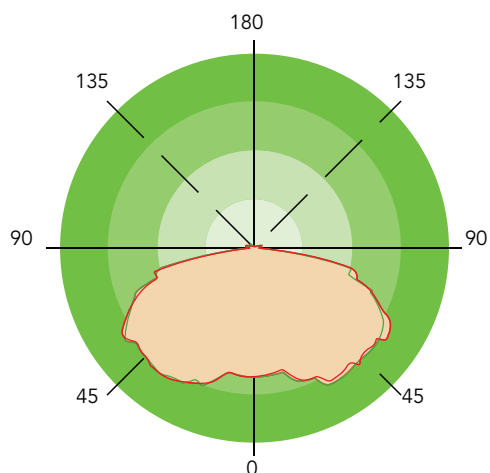
DIMENSION

unit: mm/inch

Net Weight:
27W: 3.615lbs
40W: 4.166lbs
60W: 5.070lbs



PHOTOMETRICS



MOUNTING



Surface Mounted With J-Box



Conduit Pendant Mount*

*Pendant Mount not sold by Sunco