

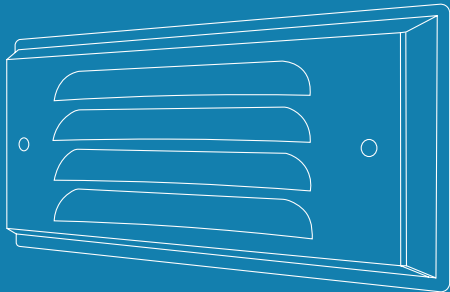
Sunco

Lighting made better.

User Manual

LED Stairway Light (Bronze)

SKU: SL_SQ_LV-BR-3000K



support@sunco.com
(844) 334-9938



AMERICAN
COMPANY

Safety Information

To reduce the risk of fire, electric shock, or physical injury:

- Turn off circuit breaker before installing this fixture.
- Suitable for wet locations at temperature ranging from 4°F to 113°F.
- This product is not compatible with 3rd party sensors.
- This product is not compatible with dimmers.
- This product is not compatible with photo controls.
- This product is not compatible with occupancy sensors.
- Performance may vary with timing devices.

This device complies with Part 15 of the FCC rules. Operation is subject to the following two conditions:
1.) This device may not cause harmful interference.

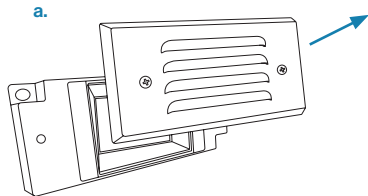
- All electrical connections must be in accordance with local and National Electric Code (N.E.C.) standards.
- Please review installation manual carefully before proceeding. Consult a qualified electrician if you are unfamiliar with proper electrical wiring connections.



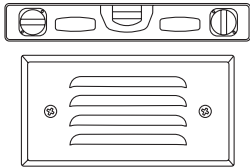
WARNING:
Cancer & Reproductive Harm-
www.P65Warnings.ca.gov

2.) This device must accept any interference that may cause undesired operation. Please review all instructions carefully prior to installation.

Installation Guide



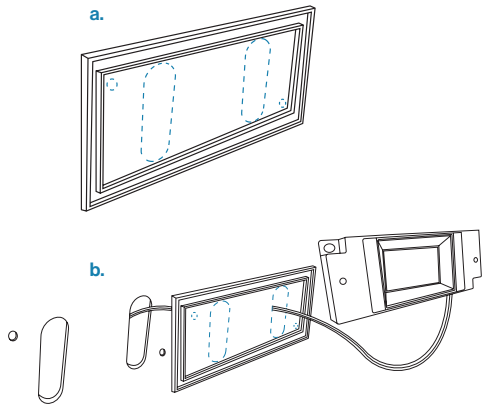
b.



a. Begin by carefully removing the faceplate from the fixture.

b. Align a level on the intended step surface, securely position the faceplate while adjusting alignment, and mark the exact placement using a pencil or marker.

Installation Guide (Cont.)

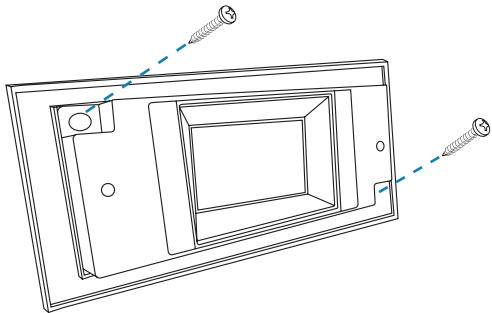


a. Use the provided gasket to accurately mark the holes for surface mounting.

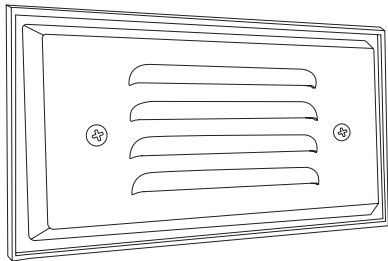
b. After drilling the designated holes, thread the wire through the gasket for an airtight installation. Additionally, pass the wire through the designated hole.

c. Connect the leads from the fixture to the primary low voltage supply cable leads using the provided wire nuts.

Installation Guide (Cont.)



Secure the fixture in place by screwing the two screws through the holes on the fixture and into the mounting surface.



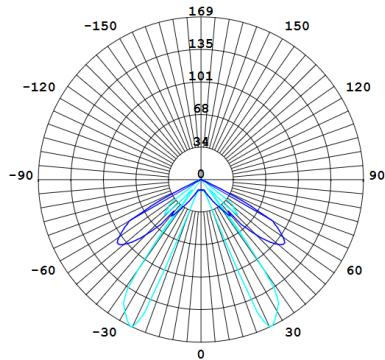
Reattach the faceplate, then use the two screws to secure it onto the fixture by fastening them through the holes on the cap.

Product Details

Voltage	12-24V	Average Lifetime	50,000 hrs
Wattage	5W	Lumens	200LM
Wattage Equivalency	50W	Moisture Rating	Wet
Beam Angle	120°	CRI	80+
Weight	0.52lbs	Usage	Outdoor
Housing Material	ALU+Plastic	Temperature	4°F-113°F
Power Factor	0.8	Frequency	60HZ
Efficacy	40lm/w	IP Rating	IP65
Dimmable	No	Warranty	7 Years

Light Distribution Angle

Lighting distribution angle refers to how light spread from light source and plays crucial role in choosing the right fixture or bulb. Symmetric lighting distribution emits light uniformly in all directions, forming a cone-shaped pattern that offers wide-spread illumination.



AVERAGE BEAM ANGLE: 96.1

— C0/180 71.9°
— C90/270 120.4°

UNIT:cd Luminous Intensity

Asymmetric lighting distribution, also known as beam angle, focuses light in specific direction. Keep in mind that factors like reflector design, lens type, and distance between the light source and the illuminated surface can influence the lighting distribution angle.

Warranty Policy

This product is covered by our industry leading 7 year warranty.

It gets even better - scan the QR code for 2 extra years of protection!



Scan me for two extra years!

30 Day Return

At Sunco we value our customers and stand by the quality and performance of our products.

If you are not completely satisfied with your purchase, we accept returns within 30 days of your purchase date.

Customer Service

Our Los Angeles team of lighting experts is here to assist you with all your needs! Contact us at:

Email:



support@sunco.com

Text or Call:



(844) 334-9938

Sunco

Lighting made better.

support@sunco.com
(844) 334-9938

REV10



AMERICAN
COMPANY