

# LED TONE-SELECT™ PRESTIGE™ CEILING LIGHT

## INSTALL INSTRUCTIONS

**INSTALLATION SHOULD BE PERFORMED BY A QUALIFIED ELECTRICIAN.** Read these instructions carefully, and save them for a later date.

ALL ELECTRICAL CONNECTIONS MUST BE IN ACCORDANCE WITH LOCAL AND NATIONAL ELECTRICAL CODE (N.E.C.) STANDARDS. IF YOU ARE UNFAMILIAR WITH PROPER ELECTRICAL WIRING CONNECTIONS OBTAIN THE SERVICES OF A QUALIFIED ELECTRICIAN.

This device complies with Part 15 of the FCC rules and has been tested and found to comply with the limits for a Class B digital device. These limits are designed to provide reasonable protection against harmful interference in a residential installation. This equipment generates uses and can radiate radio frequency energy and, if not installed and used in accordance with the instructions, may cause harmful interference to radio communications.

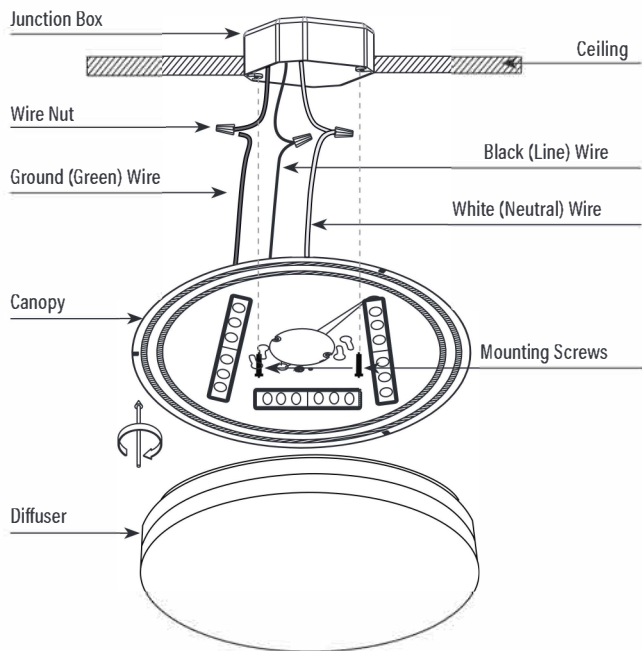
### WARNING - RISK OF FIRE OR ELECTRIC SHOCK

- Install this kit only in luminaires that have the construction features and dimensions shown in the photographs and/ or drawings.
- Do not make or alter any open holes in an enclosure of wiring or electrical components during kit installation.
- To prevent wiring damage or abrasion, do not expose wiring to edges of sheet metal or other sharp objects.
- No user serviceable part inside. To avoid electrical shock do not disassemble product.
- To prevent early failure, fixture should only be installed in operating environments ranging -4°F to 104°F (-20°C to 40°C)
- This product is not intended for use in emergency light fixtures or exits signs.
- For the latest list of compatible dimmers please visit our website.
- Use only on 120VAC, 60Hz circuits.
- Suitable for use in dry and damp locations.
- Covered ceiling mount only.

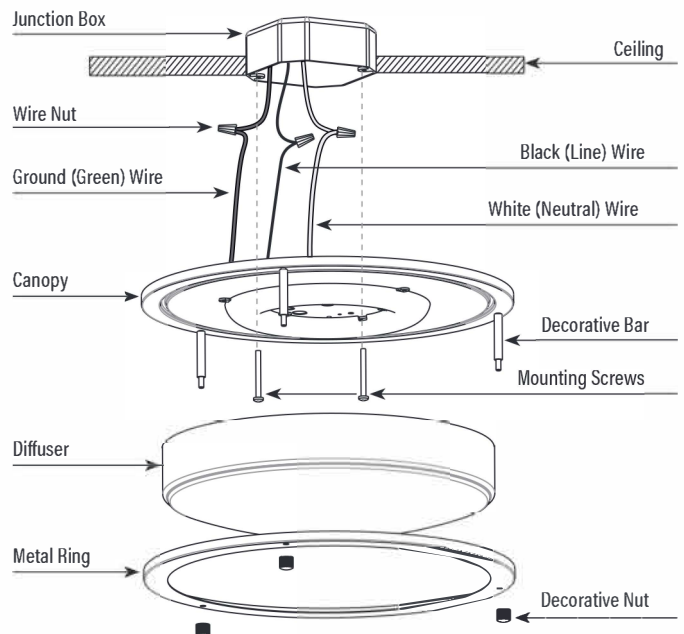
### ⚠ WARNING - RISK OF ELECTRIC SHOCK

DISCONNECT POWER AT FUSE OR CIRCUIT BREAKER BEFORE INSTALLING OR SERVICING THIS FIXTURE.

#### ITEM #: 58248 / 88248 / 19248



#### ITEM#: 49248



# LED TONE-SELECT™ PRESTIGE™ CEILING LIGHT

## INSTALL INSTRUCTIONS

### **! WARNING - RISK OF ELECTRIC SHOCK**

DISCONNECT POWER AT FUSE OR CIRCUIT BREAKER BEFORE INSTALLING OR SERVICING THIS FIXTURE.

**TOOLS NEEDED:** Screwdriver, wire nuts, and electrical tape.

### CEILING LIGHT INSTALLATION

1. Shut off power at the circuit breaker or fuse before installation.
2. If replacing an existing fixture, disconnect and remove the old fixture first.
3. Connect the fixture wires to the power supply wires using wire nuts; Black to Line, White to Neutral, and Green to Ground.
4. Align the canopy with the mounting screws holes on the junction box.
5. Thread the mounting screws through the keyhole slots in the canopy that align with the junction box mounting holes. Rotate the canopy until the screws are at the small end of the keyhole slots.
6. Ensure the wires are properly placed within the junction box. Tighten the mounting screws until the canopy is tightly seated against the ceiling.
7. Field adjustable CCT (Default: 2700K) - Select color temperature by sliding the CCT Selection Switch to the desired value.
8. Install the diffuser;
  - Item#: 84285 / 84288 / 84291 - rotate diffuser until it securely locks into the canopy. (Fig. 1)
  - Item#: 84294 - install diffuser, replace metal ring and tighten the decorative nuts onto the decorative bars. (Fig. 2)

#### ITEM #: 58248 / 88248 / 19248

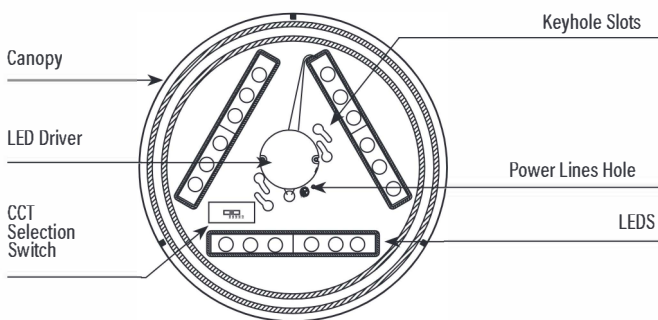
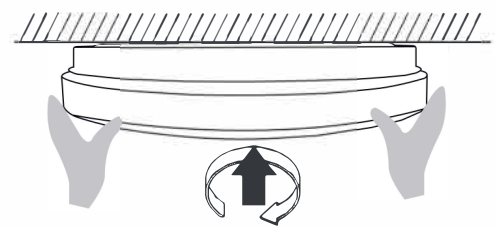


Fig. 1



#### ITEM#: 49248

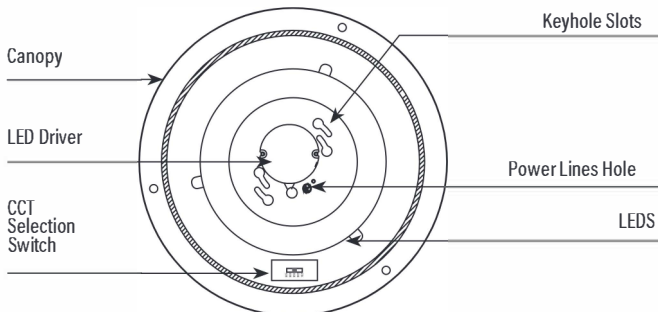


Fig. 2

