

PLEASE FIND A QUALIFIED ELECTRICIAN FOR INSTALLATION. Please read the instructions before you install and use the luminaire.

GENERAL: ALL ELECTRICAL CONNECTIONS MUST BE IN ACCORDANCE WITH LOCAL AND NATIONAL ELECTRICAL CODE (N.E.C.) STANDARDS. IF YOU ARE UNFAMILIAR WITH PROPER ELECTRICAL WIRING CONNECTIONS OBTAIN THE SERVICES OF A QUALIFIED ELECTRICIAN. REMOVE THE TRIM FROM THE BOX AND MAKE SURE THAT NO PARTS ARE MISSING.

WARNING - Risk of fire or electric shock. LED Retrofit Kit installation requires knowledge of luminaires electrical systems. If not qualified, do not attempt installation. Contact a qualified electrician.

WARNING - Risk of fire or electric shock. Install this kit only in luminaires that have the construction features and dimensions shown in the photographs and/or drawings and where the input rating of the retrofit kit does not exceed the input rating of the luminaire

Do not make or alter any open holes in an enclosure of wiring or electrical components during kit installation

WARNING - To prevent wiring damage or abrasion, do not expose wiring to edges of sheet metal or other sharp objects

Risk of Electric Shock: Disconnect power or circuit breaker before installing or servicing.

! WARNING DISCONNECT POWER BEFORE INSTALLING OR SERVICING.

4" J-BOX COMPATIBILITY

Compatible with most standard 4" J-Boxes with a minimum height of 1.5". Not all existing J-Boxes meeting these requirements will be compatible. A test installation should be preformed.

SURFACE MOUNTED WITH 4" J-BOX

1. Make sure power is turned off.
2. Attach mounting bracket to the J-Box using the 2 provided screws. Note the flat side of the mounting bracket should be facing down once installed. (Fig 1)
3. Attach safety clip to one of the holes in the mounting bracket. (Fig 2)
4. Insert existing wire ends from the J-Box to the LED adapter. Black wire to (+), White wire to (-). Make sure both wires are tightly secured in the LED adapter.
5. Connect the end of the LED adapter coming out of the J-Box to the fixture and wire the grounds together using the provided wire nut.
6. Push fixture up into the mounting bracket until it clicks into place. Make sure all wires are carefully tucked inside the J-Box and fixture is flush with the ceiling.
7. Installation complete, restore power.

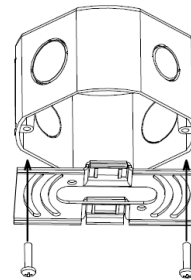


FIG. 1

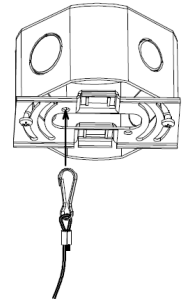
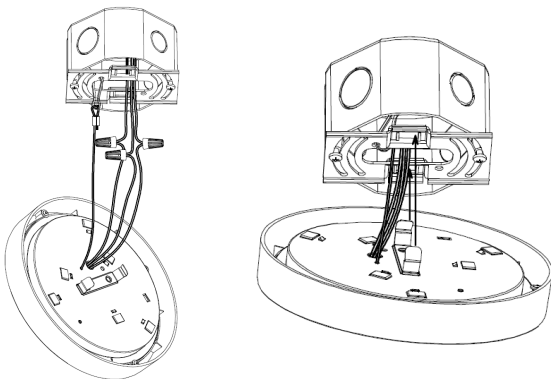


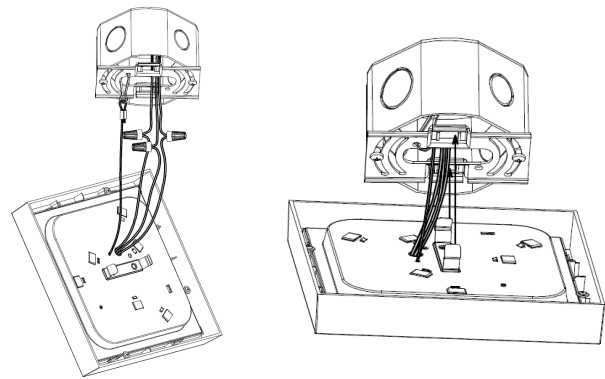
FIG. 2

SURFACE MOUNTED WITH J-BOX - ROUND*



J-BOX NOT INCLUDED*

SURFACE MOUNTED WITH J-BOX - SQUARE*



J-BOX NOT INCLUDED*