



Item#: **99038**
LED SPEC-SELECT™ CANOPY
 FUEL PUMP CANOPY LUMINAIRES

FEATURES

- Adjustable wattage and color temperature.
- One piece corrosion resistant, die-cast housing with powder coat paint finish.
- High impact UV stabilized PC lens for even light distribution.
- Compact design.
- Easy installation.
- 1/2" threaded knockouts on 3 sides.
- Surface mount with J-box or pendent mount with 3/4" conduit.

APPLICATION

Parking structures, gas stations, garages, underpasses, covered walkways, storage areas and security lighting.

ELECTRICAL

| | |
|---------------------------------|-----------------|
| Wattage | 21W / 30W / 40W |
| Voltage | 120-277V |
| Power Factor | 0.9 |
| Total Harmonic Distortion (THD) | 6 |

LIGHTING PERFORMANCE

| | |
|--|--|
| Lumens | 2894 / 4134 / 5500 |
| Lumens Per Watt (LPW) | 138 |
| Color Temperature (CCT) | 3000K / 4000K / 5000K |
| Color Rendering (CRI) | 82 |
| R9 (Red Value) | 2 |
| Beam Angle | 100° x 60° |
| Light Distribution | Type VS |
| BUG Rating (Backlight, Uplight, and Glare) | B2 - U2 - G1 |
| Dimmable Lighting Control | <i>Dimmable</i> 0-10V, Range 10% - 100% |

ENVIRONMENT

| | |
|---------------------------|--------------|
| Operating Temperature | -40° ~ 104°F |
| Suitable Location | WET |
| Ingress Protection Rating | IP65 |

LIFESPAN

| | |
|----------------------|----------|
| Average Life (Hours) | 50,000 |
| Warranty (Years) | 5 |

COMPONENTS

| | |
|------------------|----------------|
| LED Light Source | Seoul 3528 |
| Driver | ARC-DI-40I1000 |

CONSTRUCTION

| | |
|---------------------|--------------|
| Housing | Aluminum |
| Lens | PC / Frosted |
| Base / Power Supply | Hard Wired |
| Finish | White |

QUALIFICATIONS

| | |
|--------------|---------------------|
| Model Number | SSC-A-FSC1-1-MV-WHT |
|--------------|---------------------|



Visit www.designlights.org/search to confirm qualification. • Published lumens on LED products are approximate and may vary slightly. • Specifications are subject to change without notice.

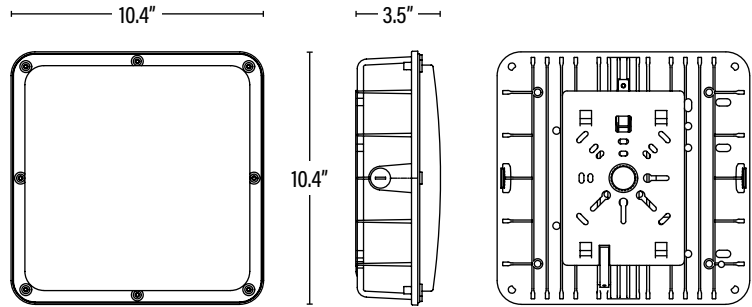
Item#: 99038

LED SPEC-SELECT™ CANOPY

ITEM INFORMATION

DIMENSIONS (Inches)

| | |
|------------------|-------|
| Length | 10.4" |
| Width/Diameter | 10.4" |
| Height | 3.5" |
| Net Weight (Lbs) | -- |



SUPPORTING DOCUMENTS (Grey = not available at this time.)

| | |
|----------------------------|------|
| Product Sheet | VIEW |
| Install Instructions | VIEW |
| IES Download from Web Item | VIEW |
| LM79 | VIEW |
| LM80 | VIEW |

PACKAGING

| | | UPC | DIMENSIONS (LxWxH) | GROSS WEIGHT (Lbs) |
|-------------------|--------------|----------------|-----------------------|--------------------|
| Master Carton | 4 | 10811768026099 | 15.7" x 10.9" x 10.9" | -- |
| Individual Box | 1 | 811768026092 | 10.8" x 10.8" x 3.7" | -- |
| Country of Origin | China | | | |
| HS Tariff | 9405.10.6020 | | | |

ORDERING Qualification Model # SSC-A-FSC1-1-MV-WHT

| ITEM# | DESCRIPTION | CASE |
|-------|--|------|
| 99038 | LED SPEC-SELECT™ CANOPY/21W(30-40)/30-50K/DIMM/120-277V/WHT - DLC® | 4 |

ACCESSORIES

| | | |
|-------|--|-----|
| 88845 | 360° BI-LEVEL AND DAYLIGHT HARVESTING MICROWAVE SENSOR 26' DIA, 8-40' HEIGHT 800W/1200W • 120/277V | 100 |
|-------|--|-----|

ADDITIONAL INFORMATION:

Note: To prevent water damage which may shorten the life of an exterior mounted fixture; the fixture should be properly weather sealed according to the installation instructions or between the fixture base and mounting surface. Damage due to improper installation may void the warranty.

- Default settings; 21W, 5000K.
- The color temperature and wattage may be adjusted by two slide switches. Switches are located on the side of the fixture. Refer to install instructions for additional information.

