



Item#: **88845**
BI-LEVEL & DAYLIGHT HARVEST
MICROWAVE SENSOR
 FIXTURE ACCESSORY

FEATURES

- Slim, low-profile sensor.
- Provides multi-level control based on motion and/or daylight contribution.
- 26' range sensitivity detector.
- Works with ballasts or LED drivers.
- Adjustable light levels and stand-by time.

APPLICATION

Designed for use in canopy fixtures.

ELECTRICAL

Voltage	120V-277 VAC 50/60 Hz	
Load Requirements	Resistive / Tungsten	600W @ 120V
	Electronic Ballast (LED)	800W / 1200W @ 120V / 277V
HF System	5.8GHz CW	

PERFORMANCE

Detection Angle	360°
Detection Radius	26'
Max. Mounting Height	40'
Adjustable Time Delay	10 Sec. - 30 Min.
Adjustable Light Control	10 - 50 Lux
Dim Control Output	0-10V Max. 25mA Sinking Current

ENVIRONMENT

Operating Temperature	-40° ~ 158°F
Suitable Location	DRY
Ingress Protection Rating	IP20
Humidity	Max. 95% RH

LIFESPAN

Warranty (Years)	2
------------------	----------

CONSTRUCTION

Housing	PC
Mounting	Hard Wired
Finish	White

QUALIFICATIONS



Specifications are subject to change without notice.

Item#: **88845**

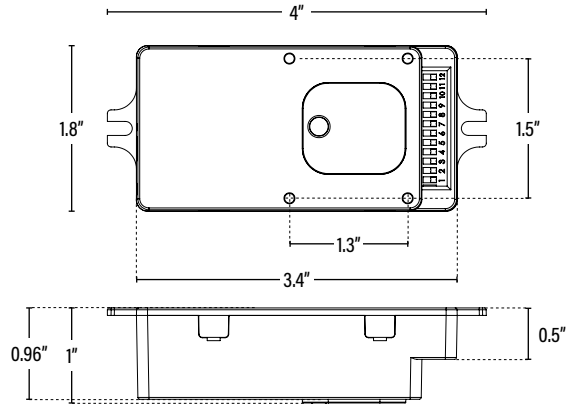
BI-LEVEL & DAYLIGHT HARVEST MICROWAVE SENSOR

DIMENSIONS (Inches)

Length	4"
Width	1.8"
Height	1"
Net Weight (Lbs)	--

SUPPORTING DOCUMENTS (Grey = not available at this time.)

Product Sheet	VIEW
Install Instructions	VIEW



PACKAGING

		UPC	DIMENSIONS (LxWxH)	GROSS WEIGHT (Lbs)
Master Carton	100	10811768020585	--	--
Individual Box	1	811768020588	4.3" x 2.4" x 1.9"	--
Country of Origin	China			
HS Tariff	--			

ORDERING

ITEM#	DESCRIPTION	CASE
88845	360° BI-LEVEL AND DAYLIGHT HARVESTING MICROWAVE SENSOR 26FT DIA, 8-40FT HEIGHT 800W/1200W • 120/277V	100