



Item#: **78683**

## LED MINI WALL PACK

OUTDOOR NON-CUTOFF AND SEMI-CUTOFF  
WALL-MOUNTED AREA LUMINAIRES

### FEATURES

- Easy installation
- Replaces 25W HID
- Sealed housing for outdoor applications
- Polycarbonate optical lens
- With Photo Cell

### APPLICATION

Ideal for security, pathway and perimeter lighting, building entry ways and walkways.

### ELECTRICAL

Wattage	11.6W
Voltage	120-277V
Current	0.11A
Power Factor	0.9
Total Harmonic Distortion (THD)	4.9

### LIGHTING PERFORMANCE

Lumens	1631
Lumens Per Watt (LPW)	141
Color Temperature (CCT)	4000K
Color Rendering (CRI)	73
R9 (Red Value)	-17
R13 (Skin Tones)	--
Beam Angle	90°
Light Distribution	Type IV, Very Short
BUG Rating (Backlight, Uplight, and Glare)	B1 - U3 - G1
Dimmable Lighting Control	<i>Dimmable</i> 0-10V, Range 10% - 100%

### ENVIRONMENT

Operating Temperature	-22° ~ 113°F
Suitable Location	<b>WET</b>
Ingress Protection Rating	IP65

### LIFESPAN

Average Life (Hours)	50,000
Warranty (Years)	<b>5</b>

### COMPONENTS

LED Light Source	Luxeon 3030 2D
Driver	WP-HLA-016U

### CONSTRUCTION

Housing	Aluminum Alloy / PC
Lens	Clear
Base / Power Supply	Hard Wired
Finish	Black

### QUALIFICATIONS

Model Number	MWP-12-[D,P]-40K
--------------	------------------



Visit [www.designlights.org/search](http://www.designlights.org/search) to confirm qualification. • Published lumens on LED products are approximate and may vary slightly. • Specifications are subject to change without notice.

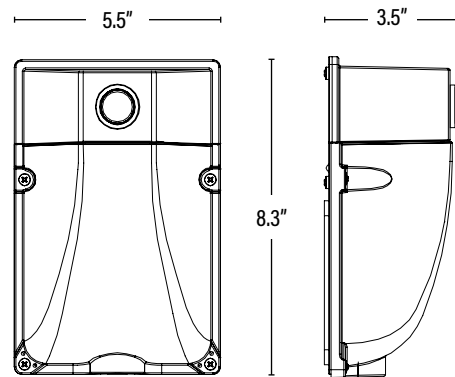
Item#: **78638**  
**LED MINI WALL PACK**

**DIMENSIONS** (Inches)

Length	8.3"
Width	5.5"
Height	3.5"
Net Weight (Lbs)	--

**SUPPORTING DOCUMENTS** (Grey = not available at this time.)

Product Sheet	VIEW
Install Instructions	VIEW
IES Download from Web Item	VIEW
LM79	VIEW
LM80	VIEW



**PACKAGING**

		UPC	DIMENSIONS (LxWxH)	GROSS WEIGHT (Lbs)
Master Carton	8	811768022841	5.6" x 3.9" x 8.5"	14.8
Individual Box	1	10811768022848	--	1.9
Country of Origin	China			
HS Tariff	9405.11.8020			

**ORDERING**

ITEM#	DESCRIPTION	CASE
78638	LED MINI WALL PACK/12W/40K/CL/DIMM/120-277V/BLK/PHOTO CELL - DLC®	8

**ADDITIONAL INFORMATION:**

**Note:** To prevent water damage which may shorten the life of an exterior mounted fixture; the fixture should be properly weather sealed according to the installation instructions or between the fixture base and mounting surface. Damage due to improper installation may void the warranty.