



Item#: **70105**
LANDSCAPE LIGHTING

BRASS SONOMA LARGE NARROW FLOOD

The Sonoma large narrow flood is a low voltage outdoor flood that uses integrated LED chips. The fixture head easily adjusts for precise lighting.

FEATURES

- Tempered heat resistant flat glass
- PTFE 250C, 300V, Teflon wire with half strip included
- Silicone Wire Nuts are included

APPLICATION

Ideal for wall washing, area illumination and landscape lighting.

ELECTRICAL

Wattage	6W
Voltage	12V

LIGHTING PERFORMANCE

Lumens	550
Lumens Per Watt (Lm/W)	92
Color Temperature (CCT)	3000K
Color Rendering (CRI)	N/A
Beam Angle	60°
Dimmable Lighting Control	

ENVIRONMENT

Operating Temperature	N/A
Suitable Location	WET
Ingress Protection Rating	IP65

LIFESPAN

Average Life (Hours)	20,000
Warranty (Years)	2

CONSTRUCTION

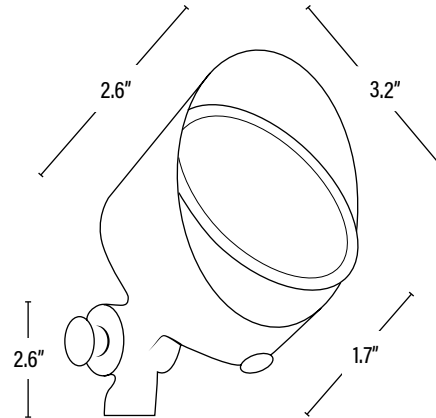
Housing	Brass / PC
Lens	Clear
Base / Power Supply	Hard Wired
Finish	Bronze

Published lumens on LED products are approximate and may vary slightly. • Specifications are subject to change without notice.

Item#: **70105**
LANDSCAPE LIGHTING

DIMENSIONS (Inches)

Length (MOL)	2.6"
Width/Diameter (MOD)	3.2"
Height	See Line Drawing
Weight (Lbs)	--



SUPPORTING DOCUMENTS (Grey = not available at this time.)

Product Sheet	VIEW
Install Instructions	VIEW

PACKAGING

		UPC	DIMENSIONS (LxWxH)	GROSS WEIGHT (Lbs)
Master Carton	10	10811768027843	--	--
Individual Box	1	811768027846	--	--
Country of Origin	China			
HS Tariff	9405.99.4090			

ORDERING

ITEM#	DESCRIPTION	CASE
70105	BRASS SONOMA 6W LED LARGE NARROW FLOOD/3000K/12V - W/PLASTIC SPIKE	10

ACCESSORIES/REPLACEMENT PARTS

54105	100W/12-15V/LANDSCAPE TRANSFORMER/ STAINLESS STEEL - SUPERIOR LIFE®	1
64105	300W/12-15V/LANDSCAPE TRANSFORMER/ STAINLESS STEEL - SUPERIOR LIFE®	1
84105	7 DAY PROGRAMMABLE TIMER FOR LANDSCAPE TRANSFORMER- SUPERIOR LIFE®	1
94105	PLUG-IN PHOTO CELL FOR LANDSCAPE TRANSFORMER- SUPERIOR LIFE®	1
52105	BRASS MOUNTING BASS - 1/2" THREADED CENTER	50
82105	ABS MOUNTING STAKE FOR LANDSCAPE FIXTURES	100
03105	LARGE PVC MOUNTING STAKE FOR LANDSCAPE FIXTURES	100
533105	BLACK SILICONE WIRE NUT 20 PACK	20
29128	8/2 WIRE	Per Foot
69128	10/2 WIRE	Per Foot
99128	12/2 WIRE	Per Foot

REPLACEMENT PARTS

870105	REPLACEMENT LENS FOR ITEMS 50107/BRASS SONOMA LARGE NARROW FLOOD	1
--------	--	---