



Item#: **57519**
LED HIGH WATTAGE 360° LAMP
 REPLACEMENT LAMPS FOR OUTDOOR POLE/ARM
 MOUNTED DECORATIVE LUMINAIRES (TYPE B)

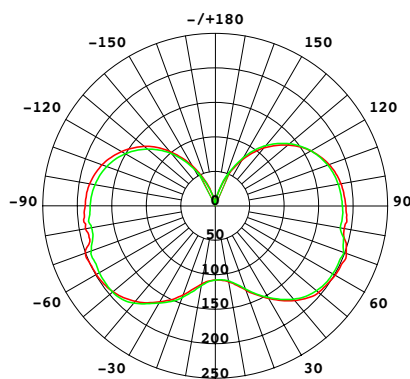
FEATURES

- Environmentally friendly; uses less energy than a traditional lamp.
- 360° optical design that provides even light distribution.
- High Voltage Surge Protection (6KV).
- Hollow heat sink for increased cooling air flow.
- High lumen output.
- Silicone gaskets.

APPLICATION

Replacement lamps for top post, high bays, parking lots and street lighting.

LIGHT DISTRIBUTION CURVE



ELECTRICAL

| | |
|---------------------------------|----------|
| Wattage | 16W |
| Voltage | 120-277V |
| Current | 0.16A |
| Power Factor | 0.9 |
| Total Harmonic Distortion (THD) | 12.5 |

LIGHTING PERFORMANCE

| | |
|--|--------------|
| Lumens | 2080 |
| Lumens Per Watt (LPW) | 130 |
| Color Temperature (CCT) | 5000K |
| Color Rendering (CRI) | 80 |
| R9 (Red Value) | 5 |
| R13 (Skin Tones) | 83 |
| Beam Angle | 360° |
| Light Distribution | Type VS |
| BUG Rating (Backlight, Uplight, and Glare) | B1 - U4 - G2 |

Dimmable Lighting Control



ENVIRONMENT

| | |
|---------------------------|--------------|
| Operating Temperature | -40° ~ 122°F |
| Suitable Location | DAMP |
| Ingress Protection Rating | IP63 |
| Suitable Fixture Type | Enclosed |

LIFESPAN

| | |
|----------------------|----------|
| Average Life (Hours) | 50,000 |
| Warranty (Years) | 5 |

COMPONENTS

| | |
|------------------|------------|
| LED Light Source | JuFei 2835 |
|------------------|------------|

CONSTRUCTION

| | |
|---------------------|---------------|
| Housing | Aluminum / PC |
| Lens | Clear |
| Base / Power Supply | E26 - Medium |

QUALIFICATIONS



Published lumens on LED products are approximate and may vary slightly. • Specifications are subject to change without notice.

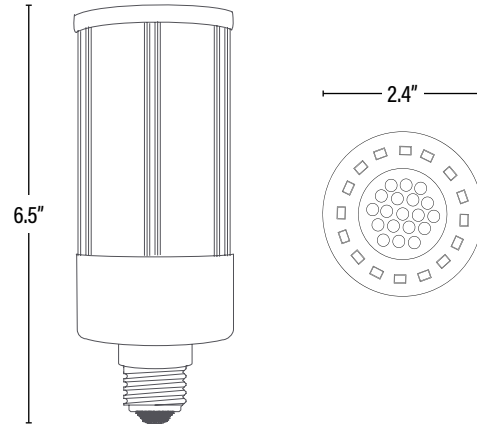
Item#: **57519**
LED HIGH WATTAGE 360° LAMP

DIMENSIONS (Inches)

| | |
|----------------------|------|
| Length (MOL) | 6.5" |
| Width/Diameter (MOD) | 2.4" |
| Net Weight (Lbs) | 0.7 |

SUPPORTING DOCUMENTS (Grey = not available at this time.)

| | |
|----------------------------|------|
| Product Sheet | VIEW |
| Install Instructions | VIEW |
| Photometric | VIEW |
| IES Download from Web Item | VIEW |
| LM79 | VIEW |
| LM80 | VIEW |



| PACKAGING | | UPC | DIMENSIONS (LxWxH) | GROSS WEIGHT (Lbs) |
|-------------------|--------------|----------------|--------------------|--------------------|
| Master Carton | 12 | 10811768028369 | 13.3" x 10" x 9.5" | 11.7 |
| Individual Box | 1 | 811768028362 | 3.1" x 3.1" x 8.7" | 0.8 |
| Country of Origin | China | | | |
| HS Tariff | 8539.50.0010 | | | |

ORDERING

| ITEM# | DESCRIPTION | CASE |
|-------|-------------------------------------|------|
| 57519 | LED 16WT19/50K/360°/CL/120-277V/MED | 12 |

ADDITIONAL INFORMATION:

TOP VIEW

