



Item#: **57119**  
**LED 6" SPEC-SELECT™**  
**COMMERCIAL CAN**  
 INDOOR FIXTURE

**FEATURES**

Spec-Select™ Commercial Cans feature adjustable wattage and color temperature for the perfect balance of light in any application.

- Energy efficient
- Installation in housings ranging from: 6" -7.4"
- Spring action clips

**APPLICATION**

Ideal for retrofitting inefficient fixtures in malls, hospitals, airports, offices, lobbies and other commercial applications.

**ELECTRICAL**

Wattage	10W / 15W / 22W
Voltage	100-277V
Current	22W = 0.26A
Power Factor	0.9

**LIGHTING PERFORMANCE**

Lumens	840 / 1512 / 1850
Lumens Per Watt (LPW)	84
Color Temperature (CCT)	27K / 30K / 35K / 40K / 50K
Color Rendering (CRI)	93
R9 (Red Value)	65
Beam Angle	94°
Light Distribution	Type VS
BUG Rating (Backlight, Uplight, and Glare)	B1 - U2 - G0
Dimmable Lighting Control	<i>Dimmable</i> 0-10V, Range 10% - 100%

**ENVIRONMENT**

Operating Temperature	-4° ~ 104°F
Suitable Location	<b>WET</b> Indoor / Covered Ceilings
Ingress Protection Rating	IP43

**LIFESPAN**

Average Life (Hours)	50,000
Warranty (Years)	<b>5</b>

**COMPONENTS**

LED Light Source	Opto 2835
------------------	-----------

**CONSTRUCTION**

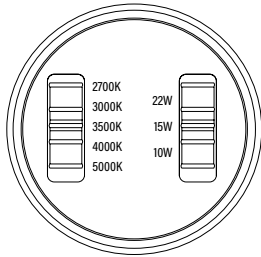
Housing	Aluminum Alloy
Base / Power Supply	Hard Wired
Finish	White

**QUALIFICATIONS**

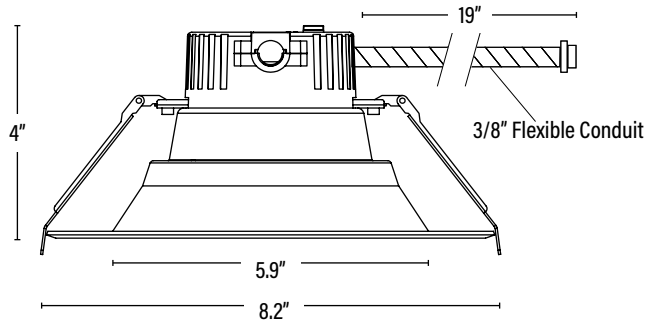


Visit [www.energystar.gov](http://www.energystar.gov) to confirm qualification. • Published lumens on LED products are approximate and may vary slightly. • Specifications are subject to change without notice.

Item#: **57119**  
**LED 6" SPEC-SELECT™ COMMERCIAL CAN**



TOP VIEW



**DIMENSIONS** (Inches)

Length (MOL)	4"
Width/Diameter (MOD)	8.2"
Net Weight (Lbs)	--

PACKAGING		UPC	DIMENSIONS (LxWxH)	GROSS WEIGHT (Lbs)
Master Carton	6	10811768028451	19.1" x 10.2" x 13.5"	--
Individual Box	1	811768028454	9.3" x 9.3" x 4.2"	--
Country of Origin	China			
HS Tariff	9405.10.6020			