



Item#: **55228**
**LED OUTDOOR DIE CAST
EMERGENCY LIGHT**
EMERGENCY LIGHTING

FEATURES

- Outdoor lighting that can be used both as general lighting and emergency lighting.
- Built in daylight photo sensor.
- Architectural low profile design.
- Quick connection and easy installation.
- Wall mounting with top or back power feed.
- Die-cast aluminum housing with a polycarbonate lens and mirror reflector.
- Self-diagnostic
- UL 94 V-0: Flame-resistant

APPLICATION

General and emergency light that can be used in a wide variety of places such as; parking lots, security, walkways and perimeter lighting.

ELECTRICAL

Wattage	12W / 4.5W (Emergency Mode)
Voltage	120-277V

LIGHTING PERFORMANCE

Lumens	1050 / 190 (Emergency Mode)
Lumens Per Watt (LPW)	88 / 42 (Emergency Mode)
Color Temperature (CCT)	6500K
CRI	67

ENVIRONMENT

Operating Temperature	32° ~ 104°F
Suitable Location	DAMP
Ingress Protection Rating	IP65

LIFESPAN

Warranty (Years)	1
------------------	----------

COMPONENTS

Battery	Lithium 4.8V 1800mah
Discharge Time	90 Min.
Recharge Time	24 Hours

CONSTRUCTION

Housing	Aluminum / PC Lens
Base / Power Supply	Hard Wired
Finish	Dark Bronze
Mounting	Wall

QUALIFICATIONS

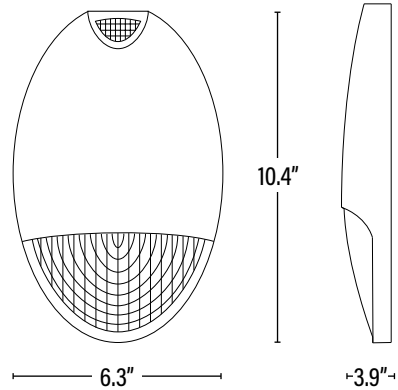


Published lumens on LED products are approximate and may vary slightly. - Specifications are subject to change without notice.

Item#: **55228**
LED OUTDOOR DIE CAST EMERGENCY LIGHT

DIMENSIONS (Inches)	
Length	10.4"
Width	3.9"
Height	6.3"
Net Weight (Lbs)	--

SUPPORTING DOCUMENTS (Grey = not available at this time.)	
Product Sheet	VIEW
Install Instructions	VIEW
Photometric	VIEW



PACKAGING		UPC	DIMENSIONS (LxWxH)	GROSS WEIGHT (Lbs)
Master Carton	6	10811768026501	13.6" x 13.5" x 1.2"	21.8
Individual Box	1	811768026504	11" x 6.5" x 4.3"	3.6
Country of Origin	China			
HS Tariff	--			

ORDERING			CASE
ITEM#	DESCRIPTION		
55228	LED OUTDOOR DIE CAST EMERGENCY LIGHT 12W/65K/120-277V/DARK BRONZE		6