



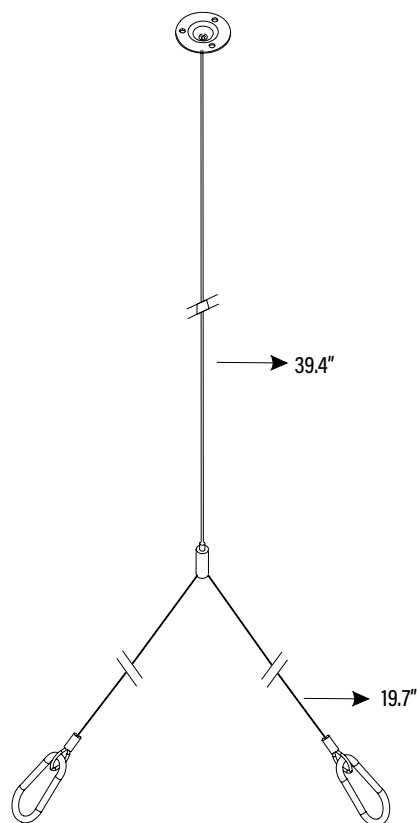
Item#: **54455**
SUSPENDED CABLE KIT
 ACCESSORY

APPLICATION

For suspending a fixture from the ceiling.

CABLE DIMENSIONS (Inches)

Length	See Line Drawing
Cable Diameter	0.06" (1.5 mm)
Height	See Line Drawing



PACKAGING		UPC	DIMENSIONS (LxWxH)	GROSS WEIGHT (Lbs)
Master Carton	100	10811768021162	--	99.8
Individual Item	1	811768021165	3" x 5" Bag	1
Country of Origin	China			
HS Tariff	9405.10.6020			

ORDERING

ITEM#	DESCRIPTION	CASE
54455	SUSPENDED CABLE MOUNTING KIT FOR LED PANEL/V6	100

KIT INCLUDES:

- 6 ea. - Self Taping Screws (Phillips head)
- 6 ea. - Anchors
- 4 ea. - Brackets
- 4 ea. - Carabiners
- 2 ea. - 1.6" Round Ceiling Plate
- 2 ea. - Cable Grippers
- 2 ea. - Hex Screws
- 2 ea. - 1.5mm Stainless Steel Cable Sets

GENERAL INSTALLATION:

