



Item#: **50078**
LED MINI SNAP & GO™ MODULE
 LINEAR RETROFIT KITS FOR 2' LUMINAIRES

FEATURES

- Replacements for traditional fluorescent fixtures and recessed troffers in drop-in ceilings.
- Linkable*; up to 15 modules can be connected in a series.
 *Maximum linked wattage of 150W combined. Maximum total power per input cord should not exceed 250W.

MOUNTING

- Designed for surface or magnetic* mounting.
 *Magnetic brackets sold separately.

APPLICATION

Ideal for retrofitting existing fluorescent fixtures, recessed troffers and cove lighting.

EACH MODULE INCLUDES



13"
Power Cord
Connector

2 ea.
Mounting
Brackets


Linking
End-to-End
Connector

End Cap

ELECTRICAL

Wattage	10W
Voltage	120V
Current	0.12A
Power Factor	0.9
Total Harmonic Distortion (THD)	20

LIGHTING PERFORMANCE

Lumens	1269
Lumens Per Watt (LPW)	137
Color Temperature (CCT)	4000K
Color Rendering (CRI)	80
R9 (Red Value)	10
R13 (Skin Tones)	83
Beam Angle	120°
Light Distribution	Type II, Very Short
BUG Rating (Backlight, Uplight, and Glare)	B1 - U3 - G1
Dimmable Lighting Control	

ENVIRONMENT

Operating Temperature	-4° ~ 104°F
Suitable Location	DAMP
Ingress Protection Rating	IP44

LIFESPAN

Average Life (Hours)	50,000
Warranty (Years)	5

COMPONENTS

LED Light Source	Optoelectronics 2835
------------------	----------------------

CONSTRUCTION

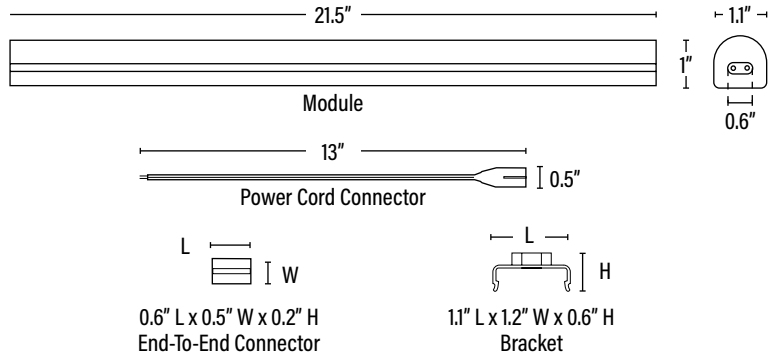
Housing	Aluminum / PC
Lens	Frosted
Base / Power Supply	Hard Wired

QUALIFICATIONS



Published lumens on LED products are approximate and may vary slightly. • Specifications are subject to change without notice.

Item#: **50078**
LED MINI SNAP & GO™ MODULE



DIMENSIONS (Inches)

Length	21.5"
Width	1.1"
Height	1"
Net Weight (Lbs)	0.35

PACKAGING		UPC	DIMENSIONS (LxWxH)	GROSS WEIGHT (Lbs)
Master Carton	36	10811768021780	26.8" x 8.3" x 7.9"	12.3
Individual Box	1	811768021783	N/A	0.35
Country of Origin	China			
HS Tariff	9405.10.6020			