



Item#: **48845**  
**FIXTURE OCCUPANCY PIR SENSOR**  
 FIXTURE ACCESSORY

**FEATURES**

- Provides multi-level control based on motion and/or daylight contribution.
- 40' range sensitivity detector.
- Adjustable light levels and stand-by time.

**APPLICATION**

Designed for use with fixtures in warehouses, work stations, hallways, offices or outdoor locations.

**ELECTRICAL**

Voltage	120-480VAC 50/60 Hz	
Power Supply	Tungsten	800W @ 120V / 1200W @ 277V
	Electronic Ballast	8A @ 120V / 5A @ 277V / 5A @ 347V
	Standard Ballast	5A @ 480V

**PERFORMANCE**

Detection Angle	360°
Detection Radius	Max 26.2ft
Max Mounting Height	40ft Height
Adjustable Time Delay	10 Sec. - 30 Mins.
Adjustable Light Control	10 - 2000 Lux

**ENVIRONMENT**

Operating Temperature	-40° ~ 158°F
Suitable Location	Indoor or Outdoor
Suitable Location	<b>WET</b>
Ingress Protection Rating	IP65
Humidity	Max. 95% RH

**LIFESPAN**

Warranty (Years)	<b>2</b>
------------------	----------

**CONSTRUCTION**

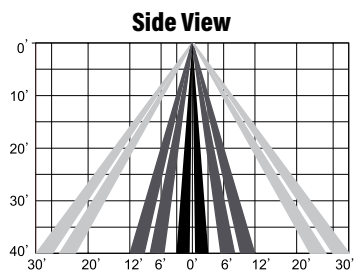
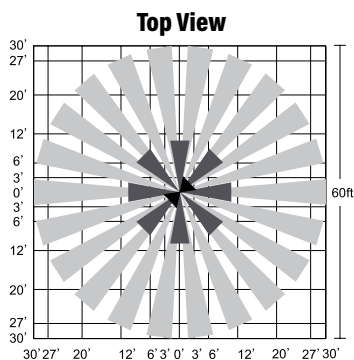
Housing	PC
Mounting	½" Knockout / Hard Wired
Finish	White

**QUALIFICATIONS**



*Specifications are subject to change without notice.*

**360° TOP AND SIDE VIEW**



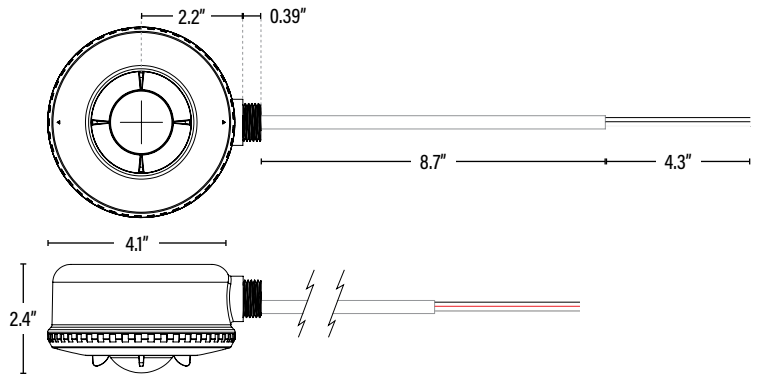
Item#: **48845**  
**FIXTURE OCCUPANCY PIR SENSOR**

**DIMENSIONS** (Inches)

Width/Diameter (MOD)	4.1"
Height	2.4"
Net Weight (Lbs)	--

**SUPPORTING DOCUMENTS** (Grey = not available at this time.)

Product Sheet	<a href="#">VIEW</a>
Install Instructions	<a href="#">VIEW</a>



PACKAGING		UPC	DIMENSIONS (LxWxH)	GROSS WEIGHT (Lbs)
Master Carton	50	10811768026372	--	--
Individual Box	1	811768026375	4.8" x 4.8" x 2.6"	--
Country of Origin	China			
HS Tariff	8536.50.9065			

**ORDERING**

ITEM#	DESCRIPTION	CASE
48845	LOW/HIGH BAY FIXTURE OCCUPANCY PIR SENSOR IP65 52FT DIA, 8-40FT HEIGHT 800W/1200W - 120-480V	50

**ADDITIONAL INFORMATION:**

**Factory Default Settings:** Sensitivity set to 100%. Hold on time 10 sec. Daylight sensor is disabled.  
*Sensor setting can be adjusted by dip switches.*