



Item#: **48519**

LED HIGH WATTAGE 360° LAMP

REPLACEMENT LAMPS FOR OUTDOOR POLE/ARM MOUNTED DECORATIVE LUMINAIRES (TYPE B)

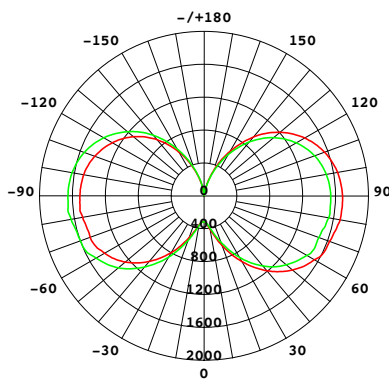
FEATURES

- Environmentally friendly; uses less energy than a traditional lamp.
- 360° optical design that provides even light distribution.
- High Voltage Surge Protection (10KV).
- Hollow heat sink for increased cooling air flow.
- High lumen output.
- Silicone gaskets.

APPLICATION


Replacement lamps for top post, high bays, parking lots and street lighting.

LIGHT DISTRIBUTION CURVE



ELECTRICAL	ITEM	DLC® WHOLE FIXTURE
Wattage	120W	113W
Voltage	120-277V	
Current	1.2A	
Power Factor	0.9	
Total Harmonic Distortion (THD)	13	

LIGHTING PERFORMANCE

Lumens	15600	12636
Lumens Per Watt (LPW)	130	112
Color Temperature (CCT)	5000K	
Color Rendering (CRI)	83	
R9 (Red Value)	7	
Beam Angle	360°	
Light Distribution	Type VS	
BUG Rating (Backlight, Uplight, and Glare)	B3 - U5 - G5	
Dimmable Lighting Control		

ENVIRONMENT

Operating Temperature	-40° ~ 122°F
Suitable Location	DAMP
Ingress Protection Rating	IP63
Suitable Fixture Type	Enclosed

LIFESPAN

Average Life (Hours)	50,000
Warranty (Years)	5

COMPONENTS

LED Light Source	JuFei 2835
------------------	------------

CONSTRUCTION

Housing	Aluminum / PC
Lens	Clear
Base / Power Supply	E39 - Mogul

QUALIFICATIONS



Visit www.designlights.org/search to confirm qualification. • DLC lists watts and lumens efficacy of the whole fixture. • Published lumens on LED products are approximate and may vary slightly. • Specifications are subject to change without notice.

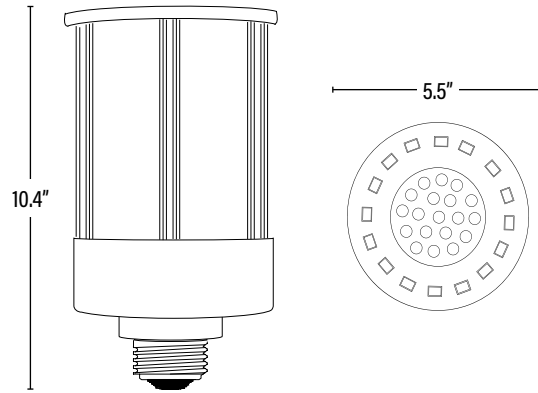
Item#: **48519**
LED HIGH WATTAGE 360° LAMP

DIMENSIONS (Inches)

Length (MOL)	10.4"
Width/Diameter (MOD)	5.5"
Net Weight (Lbs)	4.4

SUPPORTING DOCUMENTS (Grey = not available at this time.)

Product Sheet	VIEW
Install Instructions	VIEW
IES Download from Web Item	VIEW
Photometric	VIEW
LM79	VIEW
LM80	VIEW



ITEM INFORMATION

PACKAGING		UPC	DIMENSIONS (LxWxH)	GROSS WEIGHT (Lbs)
Master Carton	6	10811768024354	19.6" x 13.1" x 13.5"	32.6
Individual Box	1	811768024357	6.3" x 6.3" x 12.8"	5.1
Country of Origin	China			
HS Tariff	8539.50.0010			

ORDERING

ITEM#	DESCRIPTION	CASE
48519	LED 120WT44/50K/360°/CL/120-277V/MOG - DLC®	6

ADDITIONAL INFORMATION:

36" Coated Safety Cable with 2" locking clip included.

TOP VIEW

