



Item#: **47409**
LED CFL PLUG & GO™

FOUR PIN-BASE REPLACEMENT LAMPS FOR CFLS - HORIZONTALLY-MOUNTED LAMPS

FEATURES

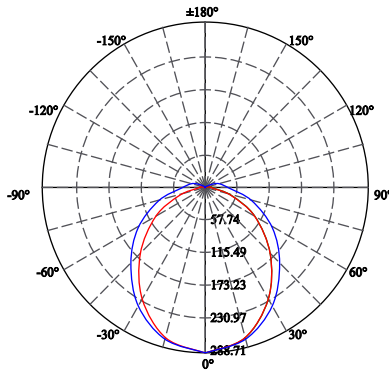
- PLUG & GO™ - works with compatible electronic ballast
- Easy installation
- Horizontal mounting

APPLICATION

Ideal for retrofitting 13W-42W 4 pin CFL G24 lamps frequently used in downlights and sconces.

**Not suitable for use with emergency ballast or signs.*

LIGHT DISTRIBUTION CURVE



ELECTRICAL

	LAMP	DLC® SYSTEM POWER
Wattage	9W	11W
Voltage	120-277V	
Power Factor	0.87	
Total Harmonic Distortion (THD)	24.5	

LIGHTING PERFORMANCE

Lumens	900
Lumens Per Watt (LPW)	82
Color Temperature (CCT)	3000K
Color Rendering (CRI)	83
R9 (Red Value)	N/A
R13 (Skin Tones)	N/A
Beam Angle	120°
Light Distribution	Type VS
BUG Rating (Backlight, Uplight, and Glare)	B0 - U2 - G1
Dimmable Lighting Control	Compatible with select dimming ballasts.

ENVIRONMENT

Operating Temperature	-4° ~ 113°F
Suitable Location	DAMP
Ingress Protection Rating	IP20
Suitable Fixture Style	Enclosed

LIFESPAN

Average Life (Hours)	50,000
Warranty (Years)	5

COMPONENTS

LED Light Source	Seoul 3528
------------------	------------

CONSTRUCTION

Housing	PC
Base / Power Supply	G24q 4 Pin / Plug In
Finish	White

QUALIFICATIONS



Visit www.designlights.org/search to confirm qualification. • DLC lists the wattage of the system power. • Published lumens on LED products are approximate and may vary slightly. • Specifications are subject to change without notice.

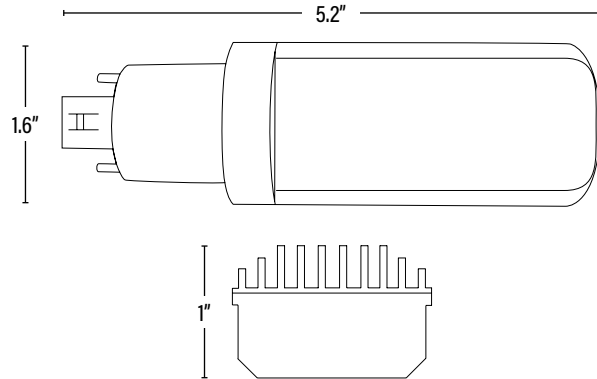
Item#: **47409**
LED CFL PLUG & GO™

DIMENSIONS (Inches)

Length (MOL)	5.2"
Width/Diameter (MOD)	1.6"
Height	1"
Net Weight (Lbs)	--

SUPPORTING DOCUMENTS (Grey = not available at this time.)

Product Sheet	VIEW
Install Instructions	VIEW
Ballast Compatibility	VIEW
IES Download from Web Item	VIEW
Photometric	VIEW
LM79	VIEW
LM80	VIEW



PACKAGING

		UPC	DIMENSIONS (LxWxH)	GROSS WEIGHT (Lbs)
Master Carton	50	10811768029304	30.3" x 9.4" x 3.7"	16.4
Inner Carton	10	20811768029301	--	--
Individual Box	1	811768029307	5.7" x 1.6" x 1.3"	0.34
Country of Origin	China			
HS Tariff	9405.10.6020			

ORDERING

ITEM#	DESCRIPTION	CASE
47409	LED 9W/PLUG & GO™/30K/120-277V/G24Q 4 PIN/H - DLC®	50

ADDITIONAL INFORMATION:

Family Item(s): 57409/4000K

ITEM INFORMATION