



Item#: **40019**
LED 6" DOWNLIGHT CAN
 INDOOR FIXTURE

FEATURES

- Energy efficient: save up to 80% in energy costs
- High lumen output
- Instant-On
- For covered ceilings only
- Suitable for Type IC or Non-IC

APPLICATION

Ideal for remodeling inefficient fixtures in malls, hospitals, airports, offices, lobbies and other commercial applications.

ELECTRICAL

Wattage	15W
Voltage	120-277V
Current	0.116A
Power Factor	0.9
Total Harmonic Distortion (THD)	17

LIGHTING PERFORMANCE

Lumens	1000
Lumens Per Watt (LPW)	73
Color Temperature (CCT)	5000K
Color Rendering (CRI)	93
R9 (Red Value)	64
R13 (Skin Tones)	96
Beam Angle	95°
Light Distribution	Type VS
BUG Rating (Backlight, Uplight, and Glare)	B1 - U1 - G0
Dimmable Lighting Control	<i>Dimmable</i> see compatibility report

ENVIRONMENT

Operating Temperature	-40° ~ 104°F
Suitable Location	WET Indoor / Covered Ceilings
Ingress Protection Rating	IP43

LIFESPAN

Average Life (Hours)	50,000
Warranty (Years)	5

COMPONENTS

LED Light Source	Hongli 2835D
------------------	--------------

CONSTRUCTION

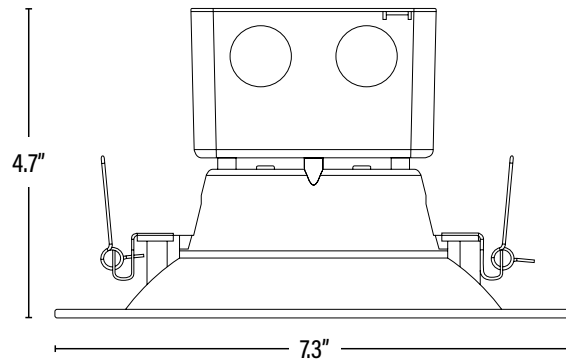
Housing	Aluminum Alloy
Base / Power Supply	Hard Wired
Finish	White

QUALIFICATIONS



Visit www.energystar.gov to confirm Energy Star qualification • Published lumens on LED products are approximate and may vary slightly. • Specifications are subject to change without notice.

Item#: **40019**
LED 6" DOWNLIGHT CAN



DIMENSIONS (Inches)

Length (MOL)	4.7"
Width/Diameter (MOD)	7.3"
Net Weight (Lbs)	--

PACKAGING		UPC	DIMENSIONS (LxWxH)	GROSS WEIGHT (Lbs)
Master Carton	12	10811768021117	25" x 15.6" x 8.3"	20.4
Individual Box	1	811768021110	7.5" x 4.6" x 7.4"	1.7
Country of Origin	China			
HS Tariff	9405.10.6020			

ADDITIONAL INFORMATION:

Installation Note:

- Minimum ceiling opening required is 5.25"
- Maximum ceiling opening is 6"