



Item#: **27409**  
**LED CFL PLUG & GO™**

**FOUR PIN-BASE REPLACEMENT LAMPS FOR CFLS - VERTICALLY-MOUNTED LAMPS**

**FEATURES**

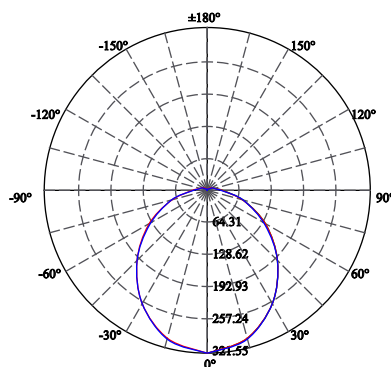
- PLUG & GO™ - works with compatible electronic ballast
- Easy installation
- Vertical mounting

**APPLICATION**

Ideal for retrofitting 13W-42W 4 pin CFL G24 lamps frequently used in downlights and sconces.

*\*Not suitable for use with emergency ballast or signs.*

**LIGHT DISTRIBUTION CURVE**



<b>ELECTRICAL</b>	<b>LAMP</b>	<b>DLC® SYSTEM POWER</b>
Wattage	9W	11W
Voltage	120-277V	
Power Factor	0.87	
Total Harmonic Distortion (THD)	20.4	

<b>LIGHTING PERFORMANCE</b>		
Lumens	950	
Lumens Per Watt (LPW)	86	
Color Temperature (CCT)	3000K	
Color Rendering (CRI)	83	
R9 (Red Value)	N/A	
R13 (Skin Tones)	N/A	
Beam Angle	120°	
Light Distribution	Type VS	
Dimmable Lighting Control	Compatible with select dimming ballasts.	

<b>ENVIRONMENT</b>		
Operating Temperature	-4° ~ 113°F	
Suitable Location	<b>DAMP</b>	
Ingress Protection Rating	IP20	
Suitable Fixture Style	Enclosed	

<b>LIFESPAN</b>		
Average Life (Hours)	50,000	
Warranty (Years)	<b>5</b>	

<b>COMPONENTS</b>		
LED Light Source	Seoul 3528	

<b>CONSTRUCTION</b>		
Housing	PC	
Base / Power Supply	G24q 4 Pin / Plug In	
Finish	White	

**QUALIFICATIONS**



Visit [www.designlights.org/search](http://www.designlights.org/search) to confirm qualification. • DLC lists the wattage of the system power. • Published lumens on LED products are approximate and may vary slightly. • Specifications are subject to change without notice.

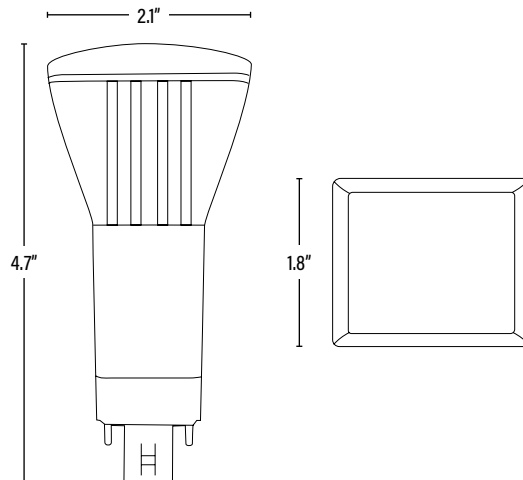
Item#: **27409**  
**LED CFL PLUG & GO™**

**DIMENSIONS** (Inches)

Length (MOL)	4.7"
Width/Diameter (MOD)	2.1"
Height	1.8"
Net Weight (Lbs)	--

**SUPPORTING DOCUMENTS** (Grey = not available at this time.)

Product Sheet	VIEW
Install Instructions	VIEW
Ballast Compatibility	VIEW
IES Download from Web Item	VIEW
LM79	VIEW
LM80	VIEW



**PACKAGING**

		UPC	DIMENSIONS (LxWxH)	GROSS WEIGHT (Lbs)
Master Carton	50	10811768026419	20.5" x 12.6" x 6.7"	18.3
Inner Carton	10	20811768026416	--	--
Individual Box	1	811768026412	5.1" x 2.2" x 1.8"	0.4
Country of Origin	China			
HS Tariff	9405.10.6020			

**ORDERING**

ITEM#	DESCRIPTION	CASE
27409	LED 9W/PLUG & GO™/30K/120-277V/G24Q 4 PIN/VL - DLC®	50

**ADDITIONAL INFORMATION:**

Family Item(s): 37409/4000K