



Item#: **20309**

LED COMPASS HIGH BAY

HIGH-BAY LUMINAIRES FOR COMMERCIAL AND INDUSTRIAL BUILDINGS

FEATURES

- Die cast aluminum for better heat dissipation
- Dust proof and anti-corrosive
- Modern design
- High efficiency driver with built-in surge protection

APPLICATION

Ideal for commercial and industrial applications; malls, warehouses, factories, retail stores, athletic facilities, workshops, airports, and large areas.

ELECTRICAL

Wattage	150W
Voltage	100-277V
Power Factor	0.9
Total Harmonic Distortion (THD)	7

LIGHTING PERFORMANCE

Lumens	22319
Lumens Per Watt (LPW)	149
Color Temperature (CCT)	5000K
Color Rendering (CRI)	85
R9 (Red Value)	17
Beam Angle	110°
Light Distribution	Type VS
BUG Rating (Backlight, Uplight, and Glare)	B4 - U2 - G1
Dimmable Lighting Control	<i>Dimmable</i> 0-10V, Range 10% - 100%

ENVIRONMENT

Operating Temperature	-22°~ 122°F
Suitable Location	WET
Ingress Protection Rating	IP65

LIFESPAN

Average Life (Hours)	50,000
Warranty (Years)	5

COMPONENTS

LED Light Source	Seoul
Driver	LF-FHB150YAIV

CONSTRUCTION

Housing	Aluminum
Lens	PC
Base / Power Supply	Hard Wired
Finish	Black

QUALIFICATIONS

Model Number	CHB3-150-D-MV-50K
--------------	-------------------



Visit www.designlights.org/search to confirm qualification. - Published lumens on LED products are approximate and may vary slightly. - Specifications are subject to change without notice.

Item#: 20309

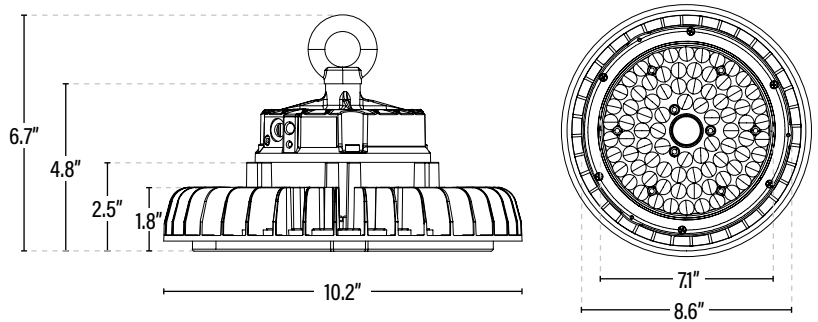
LED COMPASS HIGH BAY

DIMENSIONS (Inches)

Width/Diameter (MOD)	10.2"
Height	6.7"
Net Weight (Lbs)	--

SUPPORTING DOCUMENTS (Grey = not available at this time.)

Product Sheet	VIEW
Install Instructions	VIEW
IES Download from Web Item	VIEW
LM79	VIEW
LM80	VIEW



PACKAGING

Master Carton	1
Country of Origin	China
HS Tariff	9405.10.6020

UPC

811768022483

DIMENSIONS (LxWxH)

--

GROSS WEIGHT (Lbs)

--

ORDERING Qualification Model # CHB3-150-D-MV-50K

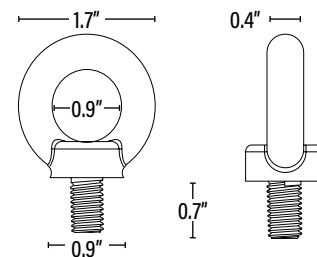
ITEM#	DESCRIPTION	CASE
20309	LED COMPASS HIGH BAY/150W/50K/DIMM/100-277V/BLK - DLC®	1

ACCESSORIES

27309	ADJUSTABLE ANGLE MOUNTING BRACKET FOR 100-240W COMPASS HIGH BAY	20
07309	MICROWAVE MOTION SENSOR FOR COMPASS HIGH BAY/1-10V DIMM/100-277V/KIT	10
06309	16IN ALUMINUM REFLECTOR FOR COMPASS HIGH BAY	1
26309	16IN ACRYLIC REFLECTOR FOR COMPASS HIGH BAY	1
36309	16IN ACRYLIC BOTTOM LENS FOR ACRYLIC REFLECTOR FOR COMPASS HIGH BAY	1
69309	78IN WATERPROOF CONNECTOR AND CORD/BLACK 18AWG/300V	50
59655	EMERGENCY PACK FOR LED COMPASS 40W/90 MIN - T20C	4

ADDITIONAL INFORMATION:

- Safety rope length approximately 5' 9"
- Power and dimming cord length approximately 72"
- Multiple screw holes are conveniently placed throughout the top of the fixture to connect occupancy sensors and reflectors.



M10
Eyelet Dimensions