



Item#: **18519**  
**LED HIGH WATTAGE 360° LAMP**  
 REPLACEMENT LAMPS FOR OUTDOOR POLE/ARM  
 MOUNTED DECORATIVE LUMINAIRES (TYPE B)

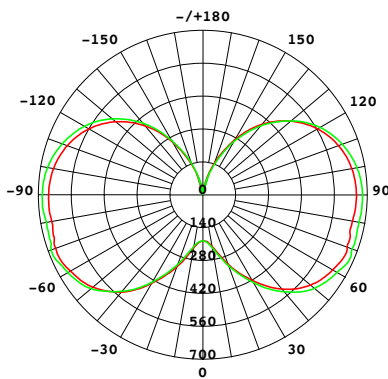
**FEATURES**

- Environmentally friendly; uses less energy than a traditional lamp.
- 360° optical design that provides even light distribution.
- High Voltage Surge Protection (6KV).
- Hollow heat sink for increased cooling air flow.
- High lumen output.
- Silicone gaskets.


**APPLICATION**

Replacement lamps for top post, high bays, parking lots and street lighting.

**LIGHT DISTRIBUTION CURVE**



ELECTRICAL	ITEM	DLC® WHOLE FIXTURE
Wattage	54W	56W
Voltage	120-277V	
Current	0.54A	
Power Factor	0.9	
Total Harmonic Distortion (THD)	12.7	

LIGHTING PERFORMANCE		
Lumens	7020	6205
Lumens Per Watt (LPW)	130	110
Color Temperature (CCT)	5000K	
Color Rendering (CRI)	83	
R9 (Red Value)	7	
Beam Angle	360°	
Light Distribution	Type VS	
BUG Rating (Backlight, Uplight, and Glare)	B2 - U5 - G3	
Dimmable Lighting Control		

ENVIRONMENT	
Operating Temperature	-40° ~ 122°F
Suitable Location	<b>DAMP</b>
Ingress Protection Rating	IP63
Suitable Fixture Type	Enclosed

LIFESPAN	
Average Life (Hours)	50,000
Warranty (Years)	<b>5</b>

COMPONENTS	
LED Light Source	JuFei 2835

CONSTRUCTION	
Housing	Aluminum / PC
Lens	Clear
Base / Power Supply	E39 - Mogul

QUALIFICATIONS	
  	

Visit [www.designlights.org/search](http://www.designlights.org/search) to confirm qualification. • DLC lists the wattage of the system power. • Published lumens on LED products are approximate and may vary slightly. • Specifications are subject to change without notice.

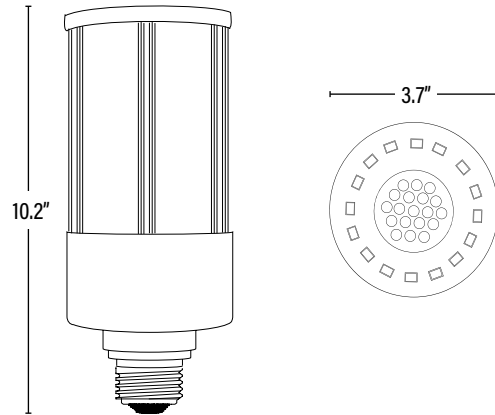
Item#: **18519**  
**LED HIGH WATTAGE 360° LAMP**

**DIMENSIONS** (Inches)

Length (MOL)	10.2"
Width/Diameter (MOD)	3.7"
Net Weight (Lbs)	2.6

**SUPPORTING DOCUMENTS** (Grey = not available at this time.)

Product Sheet	VIEW
Install Instructions	VIEW
IES Download from Web Item	VIEW
Photometric	VIEW
LM79	VIEW
LM80	VIEW



ITEM INFORMATION

**PACKAGING**

		UPC	DIMENSIONS (LxWxH)	GROSS WEIGHT (Lbs)
Master Carton	12	10811768028512	18" x 13.5" x 13"	34.6
Individual Box	1	811768028515	4.3" x 4.3" x 12.2"	2.8
Country of Origin	China			
HS Tariff	8539.50.0010			

**ORDERING**

ITEM#	DESCRIPTION	CASE
18519	LED 54WT30/50K/360°/CL/120-277V/MOG - DLC®	12

**ADDITIONAL INFORMATION:**

Family Item(s): 96519/3000K

TOP VIEW

