



Item#: **17355**  
**LED 2' VAPOR TIGHT**

**DIRECT LINEAR AMBIENT LUMINARIES**

**FEATURES**

- Low-profile which meets limitless range of applications.
- Use 30% less energy than a linear fluorescent fixtures.
- 100% UV stabilized polycarbonate housing and diffusers eliminates glare and produces even light distribution.
- Liquid silicone perimeter gasket formed to housing provides a seamless seal and protects lamps from dust and humidity.
- Stainless steel clips.
- Sufficient knockouts are available for electrical or sensor connection.

**MOUNTING**

Designed for surface and suspended mounting.

**APPLICATION**

Ideal for commercial and industrial environments; tunnels, stairwells, parking garages, cold storage, and airports. *Not designed for use in car washes, truck wash bays, or where exposed to harsh chemicals.*

**ELECTRICAL**

Wattage	20W
Voltage	120-277V
Current	0.17-0.07A
Power Factor	0.9
Total Harmonic Distortion (THD)	10

**LIGHTING PERFORMANCE**

Lumens	2620
Lumens Per Watt (LPW)	131
Color Temperature (CCT)	4000K
Color Rendering (CRI)	82
R9 (Red Value)	10
R13 (Skin Tones)	--
Beam Angle	120°
Light Distribution	Type VS
BUG Rating (Backlight, Uplight, and Glare)	B1 - U3 - G1
Dimmable Lighting Control	<i>Dimmable</i> 0-10V, Range 10% - 100%

**ENVIRONMENT**

Operating Temperature	-40° ~ 122°F
Suitable Location	<b>WET</b>
Ingress Protection Rating	IP65

**LIFESPAN**

Average Life (Hours)	50,000
Warranty (Years)	<b>5</b>

**COMPONENTS**

LED Light Source	Seoul 3528
Driver	SIE23-I420

**CONSTRUCTION**

Housing	Polycarbonate
Base / Power Supply	Hard Wired
Finish	White

**QUALIFICATIONS**

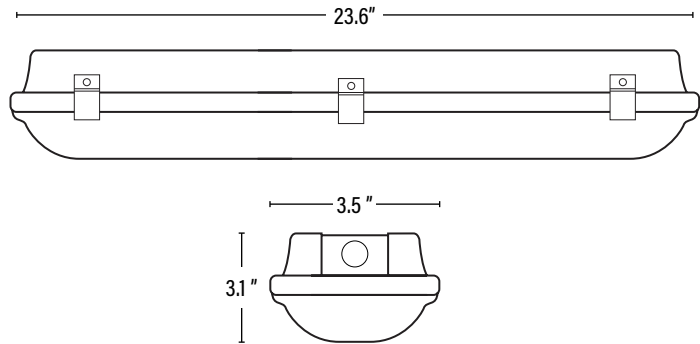


Visit [www.designlights.org/search](http://www.designlights.org/search) to confirm qualification. • Published lumens on LED products are approximate and may vary slightly. • Specifications are subject to change without notice.

Item#: **17355**  
**LED 2' VAPOR TIGHT**

**DIMENSIONS** (Inches)

Length	23.6"
Width	3.5"
Height	3.1"
Net Weight (Lbs)	--



**SUPPORTING DOCUMENTS** (Grey = not available at this time.)

Product Sheet	VIEW
Install Instructions	VIEW
IES Download from Web Item	VIEW
LM79	VIEW
LM80	VIEW

**PACKAGING**

		UPC	DIMENSIONS (LxWxH)	GROSS WEIGHT (Lbs)
Master Carton	4	10811768024057	25.8" x 8.5" x 7.1"	11.6
Individual Box	1	811768024050	--	2.9
Country of Origin	China			
HS Tariff	9405.10.6020			

**ORDERING**

ITEM#	DESCRIPTION	CASE
17355	LED 2FT VAPOR TIGHT/20W/40K/DIMM/120-277V - DLC®	4

**ACCESSORIES**

48845	LOW/HIGH BAY FIXTURE OCCUPANCY PIR SENSOR 56' DIA, 8-40' HEIGHT 800W/1200W - 120-480V	50
58845	LOW/HIGH BAY BI-LEVEL PIR SENSOR 56' DIA, 8-40' HEIGHT 800W/1200W - 120-480V	100
09845	360° BI-LEVEL & DAYLIGHT HARVEST PIR SENSOR 60' DIA, UP TO 40' HEIGHT 800W/1200W - 120/277V - DROP NIPPLE MOUNT	50
09845-L4	LENS ONLY TO MAKE 54890 A LOW BAY SENSOR 60' DIA, UP TO 20' HEIGHT	250
38355	WATERPROOF 1/2IN PLUG FOR LED VAPOR TIGHT	100

**ADDITIONAL INFORMATION:**

Family Item(s): 27355/5000K