



Item#: **09038**

**LED CANOPY**

FUEL PUMP CANOPY LUMINAIRES

**FEATURES**

- Ultra-thin design.
- Replaces 250-400W MH

**HOUSING**

- One piece sealed die cast housing.
- UV stabilized polycarbonate optical lens.

**MOUNTING**

- Surface Mount with J-Box.
- Pendant with 3/4" conduit.

**APPLICATION**

Parking structures and storage areas.

**ELECTRICAL**

Wattage	60W
Voltage	120-277V
Power Factor	0.9
Total Harmonic Distortion (THD)	20

**LIGHTING PERFORMANCE**

Lumens	6900
Lumens Per Watt (LPW)	115
Color Temperature (CCT)	5000K
Color Rendering (CRI)	85
R9 (Red Value)	27
R13 (Skin Tones)	85
Beam Angle	100° x 60°
Light Distribution	Type VS
BUG Rating (Backlight, Uplight, and Glare)	B2 - U3 - G1
Dimmable Lighting Control	<i>Dimmable</i> 0-10V, Range 10% - 100%

**ENVIRONMENT**

Operating Temperature	-40° ~ 104°F
Suitable Location	<b>WET</b>
Ingress Protection Rating	IP65

**LIFESPAN**

Average Life (Hours)	50,000
Warranty (Years)	<b>5</b>

**COMPONENTS**

LED Light Source	Seoul 3528
Driver	WP-HLA-060U

**CONSTRUCTION**

Housing	Aluminum
Lens	PC / Frosted
Base / Power Supply	Hard Wired
Finish	Black

**QUALIFICATIONS**



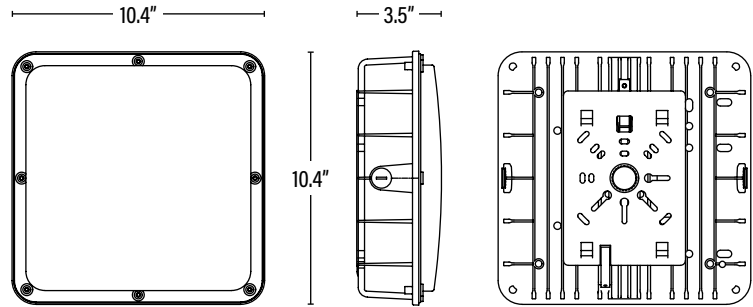
Visit [www.designlights.org/search](http://www.designlights.org/search) to confirm qualification. - Published lumens on LED products are approximate and may vary slightly. - Specifications are subject to change without notice.

# Item#: 09038

## LED CANOPY

### DIMENSIONS (Inches)

Length	10.4"
Width/Diameter	10.4"
Height	3.5"
Net Weight (Lbs)	--



### SUPPORTING DOCUMENTS (Grey = not available at this time.)

Product Sheet	VIEW
Install Instructions	VIEW
IES Download from Web Item	VIEW
LM79	VIEW
LM80	VIEW

### PACKAGING

		UPC	DIMENSIONS (LxWxH)	GROSS WEIGHT (Lbs)
Master Carton	4	10811768025702	19.3" x 19.3" x 12.2"	7.9
Individual Box	1	811768025705	--	2
Country of Origin	China			
HS Tariff	9405.10.6020			

### ORDERING

ITEM#	DESCRIPTION	CASE
09038	LED CANOPY/60W/50K/DIMM/120-277V/BLK - DLC®	4

### ACCESSORIES

88845	360° BI-LEVEL AND DAYLIGHT HARVESTING MICROWAVE SENSOR 26' DIA, 8-40' HEIGHT 800W/1200W • 120/277V	100
-------	--	-----

### REPLACEMENT PARTS

WP-HLA-060U	REPLACEMENT 60W DIMMABLE LED DRIVER	1
-------------	-------------------------------------	---

### ADDITIONAL INFORMATION:

**Note:** To prevent water damage which may shorten the life of an exterior mounted fixture; the fixture should be properly weather sealed according to the installation instructions or between the fixture base and mounting surface. Damage due to improper installation may void the warranty.