



Item#: **01938**
LED SPEC-SELECT™ STEALTH™
CUTOFF WALL PACK
 OUTDOOR NON-CUTOFF AND SEMI-CUTOFF
 WALL-MOUNTED AREA LUMINARIES

FEATURES

Spec-Select™ Stealth™ Cutoff Wall Packs feature adjustable wattage and color temperature for the perfect balance of light in any application.

- Replaces 100-250W traditional HID wall packs
- Durable weather resistant, die casting housing
- UV resistant polycarbonate optical lens
- Light weight
- Easy installation

APPLICATION

Ideal for security, walkways and perimeter lighting.

ELECTRICAL

Wattage	20W / 30W / 45W / 50W
Voltage	120-277V
Current	Max. 0.55A
Power Factor	0.9
Total Harmonic Distortion (THD)	15.7

LIGHTING PERFORMANCE

Lumens	2540 / 3810 / 5715 / 6343	
Lumens Per Watt (LPW)	127	
Color Temperature (CCT)	3000K / 4000K / 5000K	
Color Rendering (CRI)	73	
R9 (Red Value)	-33	
Beam Angle	92°	
Light Distribution	45W	Type II, Very Short
	20W / 30W / 50W	Type III, Very Short
BUG Rating (Backlight, Uplight, and Glare)	20W	B1 - UX - G1
	30W / 45W	B1 - U1 - G1
	50W	B1 - U2 - G1

Dimmable Lighting Control



ENVIRONMENT

Operating Temperature	-22° ~ 113°F
Suitable Location	WET
Ingress Protection Rating	IP65

LIFESPAN

Average Life (Hours)	50,000
Warranty (Years)	5

COMPONENTS

LED Light Source	LumiLED 3030
Driver	WP-HLA-050U

CONSTRUCTION

Housing	Die-Cast Aluminum
Lens	PC
Base / Power Supply	Hard Wired
Finish	Bronze

QUALIFICATIONS

Model Number	SPSTLWP-50-[L;H]V-[C;MC;PC;PSC;SC]-TK
--------------	---------------------------------------



Visit www.designlights.org/search to confirm qualification. • Published lumens on LED products are approximate and may vary slightly. • Specifications are subject to change without notice.

Item#: **01938**

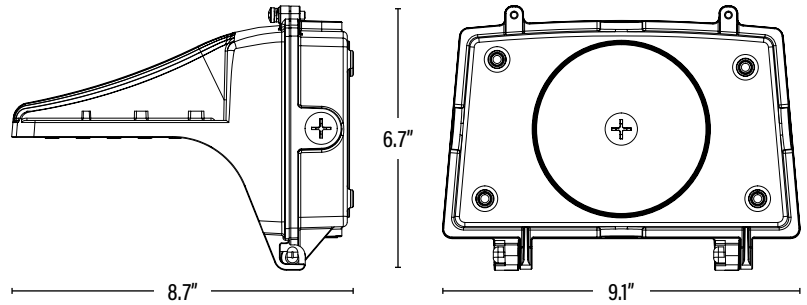
LED SPEC-SELECT™ STEALTH™ CUTOFF WALL PACK

DIMENSIONS (Inches)

Length	8.7"
Width	9.1"
Height	6.7"
Net Weight (Lbs)	3.9

SUPPORTING DOCUMENTS (Grey = not available at this time.)

Product Sheet	VIEW
Install Instructions	VIEW
IES Download from Web Item	VIEW
LM79	VIEW
LM80	VIEW



PACKAGING

		UPC	DIMENSIONS (LxWxH)	GROSS WEIGHT (Lbs)
Master Carton	1	811768021233	10.2" x 7.9" x 10.4"	5
Country of Origin	China			
HS Tariff	9405.10.6020			

ORDERING

ITEM#	DESCRIPTION	CASE
01938	LED SPEC-SELECT STEALTH™ FULL CUTOFF WALL PACK/20-30-45-50W/30-50K/120-277V/BRZ - DLC®	1

ACCESSORIES

63338*	BUTTON STYLE PHOTO CELL FOR LED WALL PACK/120-277V	70
59838*	EM BATTERY FOR LED STEALTH™ FULL CUTOFF WALL PACK 4W/90 MIN/120-277V	50

ADDITIONAL INFORMATION:

* 63338 and 59838 (4W EM Battery) cannot be used together; one accessory prevents the other from fitting in the fixture.

Note: To prevent water damage which may shorten the life of an exterior mounted fixture; the fixture should be properly weather sealed according to the installation instructions or between the fixture base and mounting surface. Damage due to improper installation may void the warranty.