

LED CANOPY - 120-277V

INSTALL INSTRUCTIONS

PLEASE FIND A QUALIFIED ELECTRICIAN FOR INSTALLATION. Please read the instructions before you install and use the luminaire.

- To avoid the risk of fire, explosion, or electric shock, this product should be installed, inspected, and maintained by a qualified electrician only, in accordance with the national electric code (NEC) and all applicable federal, state and local electric codes and safety standards.
- To avoid electric shock or component damage disconnect power before attempting installation or servicing.
- Luminaire must be connected to a wiring system with an equipment-grounding conductor.
- This luminaire is designed to operate in ambient temperatures ranging from -40° to 104°F (-40 to 40°C).
- Make sure the supply voltage is the same as the rated luminaire voltage; 120-277V AC · 50/60Hz · Input current 1.8A Max.
- Do not install where the marked operating temperatures exceed the ignition temperature of the hazardous atmosphere.
- Do not operate in ambient temperatures above those indicated on the luminaire nameplate.
- Suitable for wet locations.
- For supply connections use wire rated for at least 100°C.

Note: Save these instructions for future reference.

TROUBLESHOOTING

- Check that the fixture is firmly secured to the mounting surface.
- Verify the proper line voltage is present and the fixture is wired correctly.
- Check that the fixture is grounded.

! WARNING DISCONNECT POWER BEFORE INSTALLING OR SERVICING.

CEILING MOUNT

1. Use the existing hole in the ceiling or open a 1 3/4" hole. (Fig. 1)
2. Put the back thread through the hole, secure it by the gasket, plate and hex head locknut. Make sure there is no gap between the plate and ceiling. (Fig. 2)
3. Tighten the small set screw on the side of the locknut to prevent from loosening. If the mounting surface was not flat, sealant should be applied surround the plate and each screws. (Fig. 3)
4. Use a 3/4" conduit to lead out the wires. Connect the luminaire wiring to line wires with UL approved connectors; Live to Black, Neutral to White and Ground to Green. (See General Wiring Connections)

GENERAL WIRING CONNECTIONS

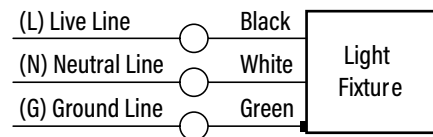


Fig. 1

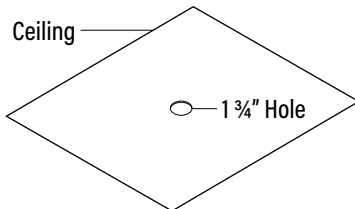


Fig. 2

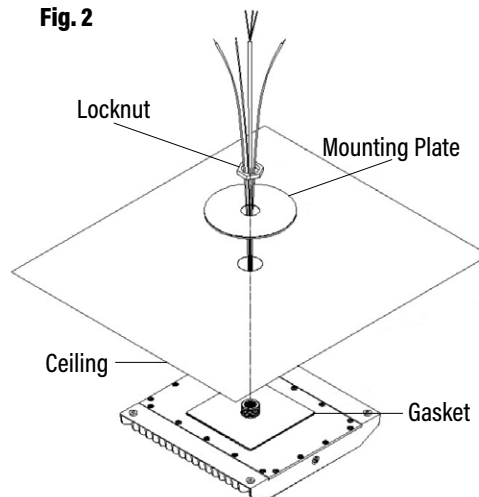
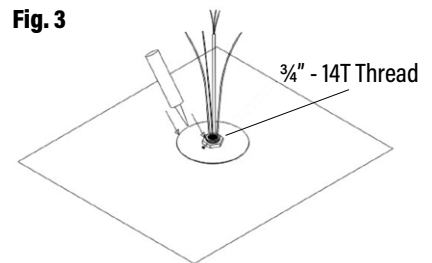


Fig. 3



LED CANOPY - 120-277V

INSTALL INSTRUCTIONS

SURFACE MOUNT ON JUNCTION BOX

1. Drill holes in the ceiling according to the dimensions in Fig. 4.
2. Remove the threaded adapter from the back of fixture. (Fig. 5)
3. Connect the luminaire wiring to line wires with UL approved connectors; Live to Black, Neutral to White and Ground to Green. (See General Wiring Connections)
4. Secure the fixture to the roof with 4 screws. (Fig. 6)

SURFACE MOUNT WITHOUT JUNCTION BOX

1. Drill holes in the ceiling according to the dimensions in Fig. 4.
2. Remove the threaded adapter from the back of fixture. (Fig. 5)
3. Open the back plate, pull the wires back and through out from the 1/2" NPT threaded hole. Secure the fixture to the roof with 4 screws. (Fig. 6)
4. Connect the luminaire wiring to line wires with UL approved connectors; Live to Black, Neutral to White and Ground to Green. (See General Wiring Connections)
5. Sealant should be applied surround the 1/2" hole.

Fig. 4

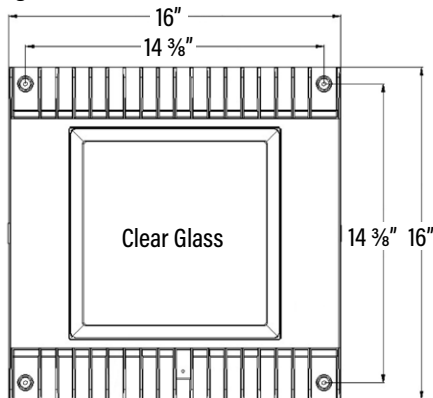


Fig. 5

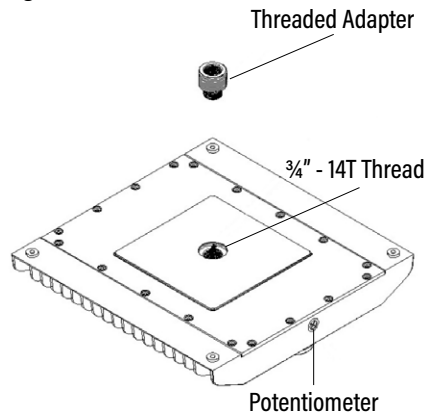
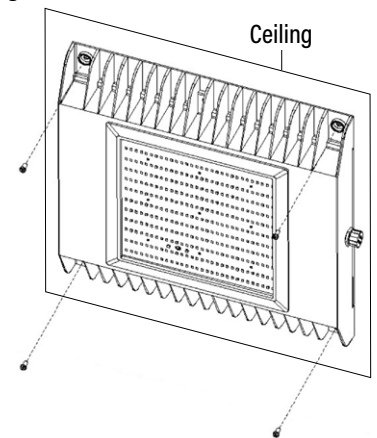


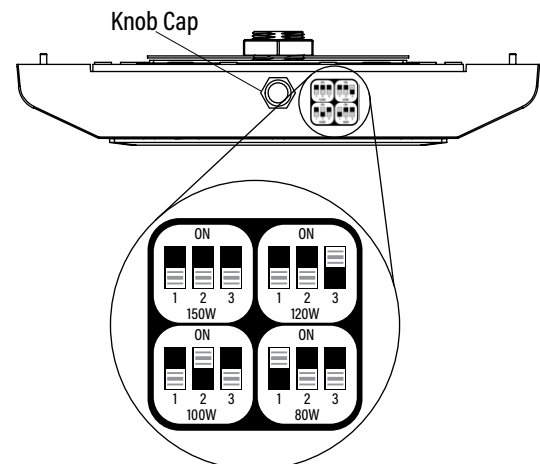
Fig. 6



FIELD ADJUSTABLE WATTAGE (If applicable)

The end users may adjust the wattage/brightness, respectively, by the DIP switches on the side of the fixture. Unscrew the knob cap before using the watt selectable function. Referencing the watt selectable label shown in Fig. 7, toggle each DIP switch (1, 2, 3) to select the desired watts. Replace knob cap.

Fig. 7



Dip switch positions are in white.