

## Diva LED+ Dimmer

Dimmer for dimmable LED, CFL, halogen, and incandescent bulbs.

### Features

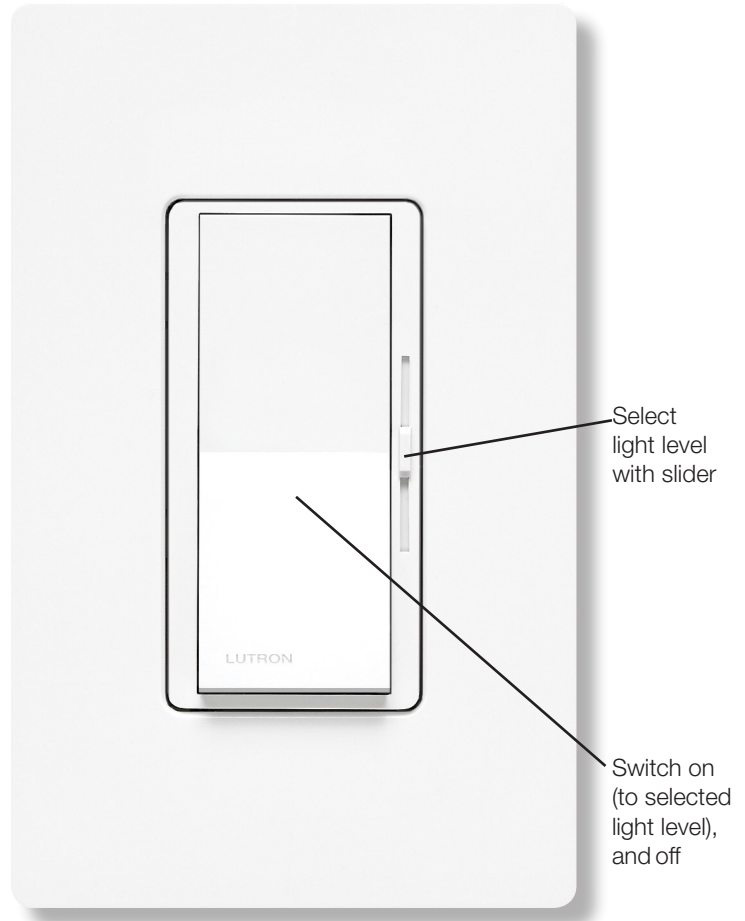
- Large paddle switch with a captive linear-slide dimmer for a standard designer wallplate opening.
- LED+ includes the most advanced technology for superior dimming of LED, CFL, incandescent, and halogen bulbs.
- UL® Listed to control:
  - Dimmable LEDs
  - Dimmable compact fluorescent lamps (CFL) with integrated ballast
  - Lutron LTEA Hi-lume 1% forward-phase LED driver
  - Halogen
  - Incandescent
- Low-end adjustment to accommodate a wide range of bulbs.
- 100% factory tested.
- Formerly C•L.
- Coordinating Claro and Stainless Steel wallplates available separately.

### Application Requirements

- **When dimming LEDs or CFLs, only bulbs marked or rated as DIMMABLE may be used.**
- For a complete list of compatible DIMMABLE LEDs please visit [www.lutron.com/LEDfinder](http://www.lutron.com/LEDfinder)
- Some DIMMABLE LEDs and CFLs require a minimum number of bulbs for proper operation. For details and a list of bulbs, please visit [www.lutron.com/LEDfinder](http://www.lutron.com/LEDfinder)

### Model Numbers

DVCL-153P-XX<sup>1,2</sup> Gloss Finish, Single pole/3-way<sup>3</sup>  
 DVCL-153PH-XXC<sup>4</sup> Gloss Finish, Single pole/3-way<sup>3</sup>  
 DVSCCL-153P-XX<sup>1</sup> Satin Finish, Single pole/3-way<sup>3</sup>



### Packages

- DVWCL-153PH-XX<sup>1,5</sup>
- DVWCL-153PH-XXC<sup>6</sup>

### Includes

- 1 DVCL-153P-XX and 1 CW-1-XX (single-gang faceplate)
- 1 DVCL-153P-XX-C and 1 CW-1-XX (single-gang faceplate)

<sup>1</sup> "XX" in the model number represents color/finish code; see "Colors and Finishes" on pages 3 & 4.

<sup>2</sup> For clamshell packaging, add "H" after "153P".

<sup>3</sup> For 3-way and 4-way switching, use Claro switches or other mechanical switches.

<sup>4</sup> Clamshell packaged product for Canada.

<sup>5</sup> Clamshell packaged product. Available in AL, IV, LA, and WH.

<sup>6</sup> Clamshell packaged product for Canada. Available in LA and WH.

## LUTRON SPECIFICATION SUBMITTAL

<b>Job Name:</b>	<b>Model Numbers:</b>
<b>Job Number:</b>	

## Specifications

### Regulatory Approvals

- UL<sub>e</sub> Listed to US and Canadian safety requirements  
UL1472/CSA C22.2 184.1
- NOM

### Power and Ratings

- 120 V~ 60 Hz
- 150 W dimmable LED/CFL
- or**
- 600 W incandescent/halogen
- or**
- Mixed bulb type per **Multigang and Mixed Bulb Type Ratings** table (see page 3)
- or**
- 250 W Lutron LTEA Hi-lume 1% forward-phase LED driver (maximum 6 drivers)

### Environment

- For indoor use only.
- Operating temperatures 32 °F to 104 °F (0 °C to 40 °C).

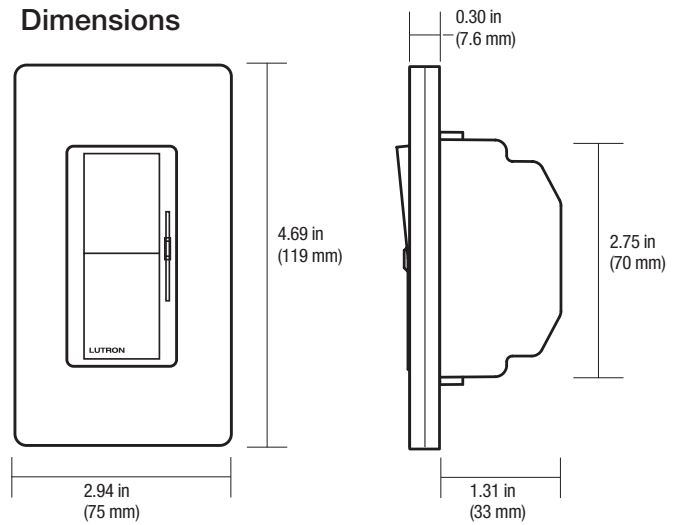
### Performance

- Power-failure memory
- Captive linear slider
- Electrostatic discharge tested
- Precise color matching
- Mechanical air-gap switch to disconnect load power

### Warranty

- 1 Year Limited Warranty  
For additional Warranty information, please visit [www.lutron.com/TechnicalDocumentLibrary/369-119\\_Wallbox\\_Warranty.pdf](http://www.lutron.com/TechnicalDocumentLibrary/369-119_Wallbox_Warranty.pdf)

### Dimensions



**Note:** Requires a U.S. wallbox 2½ in (64 mm) deep minimum.

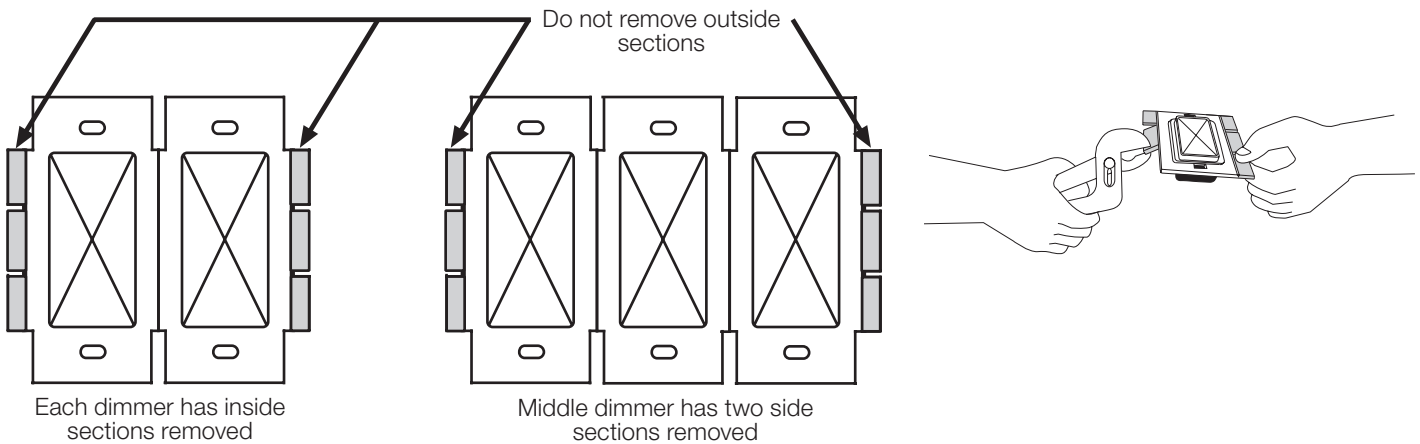
Job Name:	Model Numbers:
Job Number:	

## Multigang and Mixed-Bulb-Type Ratings

When installing more than one dimmer in the same wallbox, it may be necessary to remove some side sections prior to wiring (**see diagram**). Removal of dimmer side sections may reduce maximum wattage, as shown in the chart below.

Mixing bulb types (**using a combination of LED/CFL, and incandescent/halogen bulbs**) will also affect the maximum ratings, as shown in the chart below.

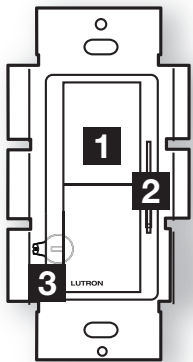
\*EXAMPLE: If one set of side sections is removed and you have three 10 W LED bulbs installed (Total LED Wattage = 30 W), you may add up to 300 W of incandescent or halogen lighting.



Total LED/CFL Wattage Installed (Wattage per bulb x # of bulbs)	LED CFL	Maximum Allowable Incandescent/Halogen Wattage		
		No sides removed	1 side removed	2 sides removed
0 W	+	600 W	500 W	400 W
1 W – 25 W	+	500 W	400 W	300 W
26 W – 50 W	+	400 W	300 W	200 W
51 W – 75 W	+	300 W	200 W	100 W
76 W – 100 W	+	200 W	100 W	50 W
101 W – 125 W	+	100 W	50 W	0 W
126 W – 150 W	+	0 W	0 W	0 W

Job Name:	Model Numbers:
Job Number:	

# Operation (View with wallplate removed)



**1 Switch**  
Turns lights ON and OFF.

**2 Slider**  
Controls light level.

+ ↑ Up  
Increases light level

- ↓ Down  
Decreases light level

**IMPORTANT:** Set slider to bottom before adjusting dimming range.

## Lever-type Adjustment Dial

**3 Adjustment lever**  
Sets low end dimming limit.

Up (clockwise)  
Increases brightness

+ ↻

- ↻

Down (counter-clockwise)  
Decreases brightness

OR

## Wheel-type Adjustment Dial

**3 Adjustment dial**  
Sets low end dimming limit.

Up (clockwise)  
Decreases brightness

- ↻

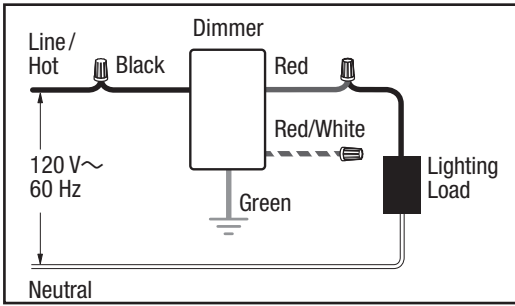
+ ↻

Down (counter-clockwise)  
Increases brightness

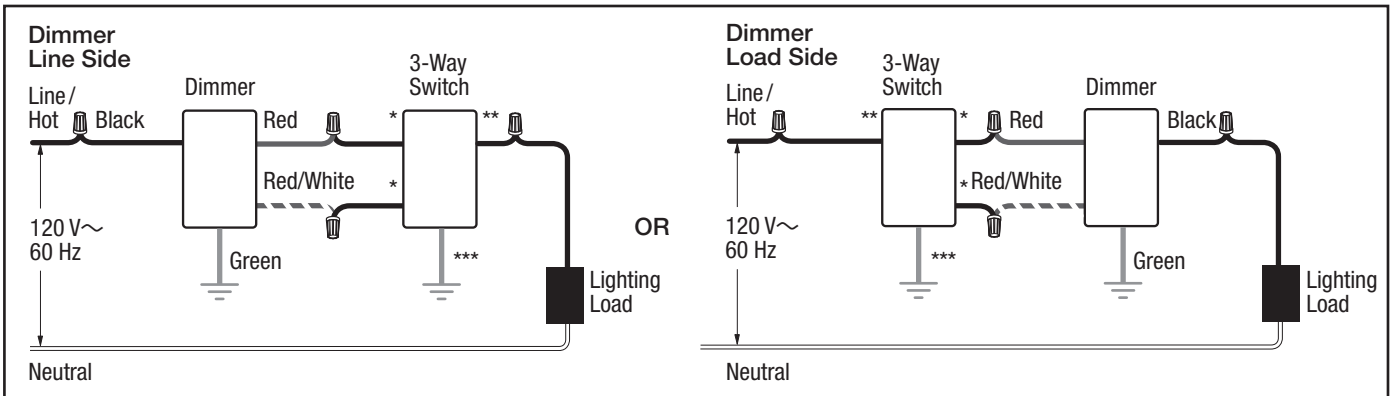
Job Name:	Model Numbers:
Job Number:	

## Wiring Diagrams

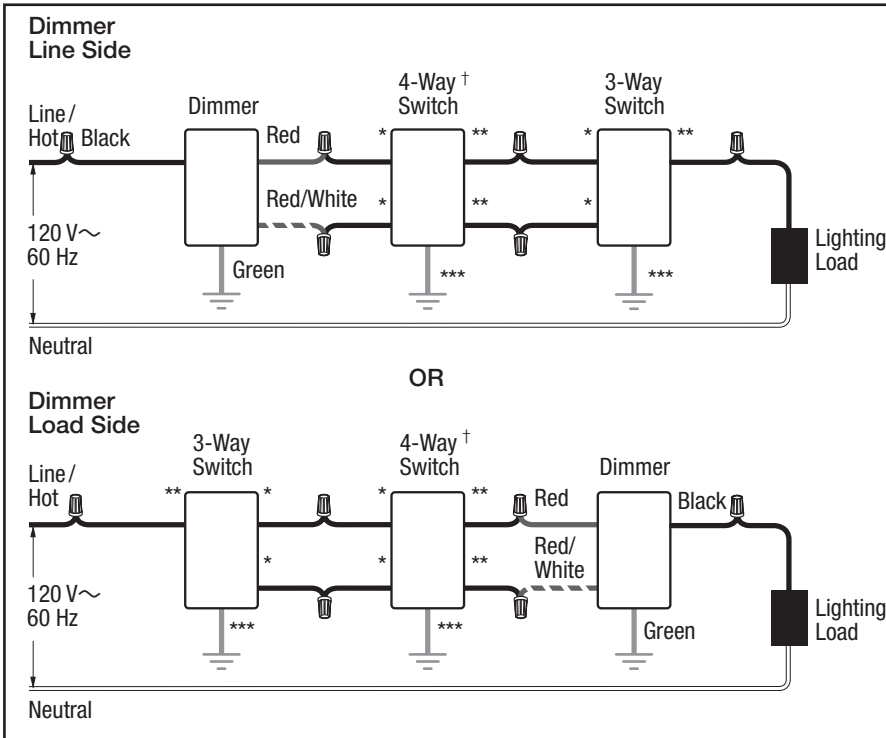
### Single-Pole Wiring



### 3-Way Wiring



### 4-Way Wiring



- \* or Copper/Black screw terminal
- \*\* or Brass/Gold screw terminal
- \*\*\* or Green screw terminal

† Please refer to the switch's instruction sheet for proper wiring.

**Note for 4-Way Wiring:**  
Dimmer must be installed Line Side or Load Side. It cannot be installed in the 4-way location.

The Lutron logo, Lutron, Claro, C•L, Hi-lume, LED+, Satin Colors and Diva are trademarks or registered trademarks of Lutron Electronics Co., Inc. in the US and/or other countries.

All other product names, logos, and brands are property of their respective owners.

Job Name:	Model Numbers:
Job Number:	