

LED SPEC-SELECT STEALTH™ FULL CUTOFF WALL PACK

INSTALL INSTRUCTIONS



IMPORTANT: READ CAREFULLY BEFORE INSTALLING FIXTURE. RETAIN FOR FUTURE REFERENCE.

- To reduce the risk of death, personal injury or property damage from fire, electric shock, falling parts, cuts/abrasions, and other hazards read all warnings and instructions included with and on the fixture box and all fixture labels.
- Commercial installation, service and maintenance of luminaires should be performed by a qualified licensed electrician.
- If you are unsure about the installation or maintenance of the luminaires, consult a qualified licensed electrician and check your local electrical code.
- To prevent wiring damage or abrasion, do not expose wiring to edges of sheet metal or other sharp objects.
- Do not make or alter any open holes in an enclosure of wiring or electrical components during installation.

WARNING: RISK OF FIRE OR ELECTRICAL SHOCK

- This fixture must be wired in accordance with the NEC electrical code and applicable local codes and ordinances.
- Proper grounding is required to insure personal safety. Carefully observe the correct grounding procedure under installation section.

- Make sure power off before installing or maintaining fixture.
- Check that voltage is compatible with fixture driver, use approved connectors for all electrical connections.

MAINTENANCE CAUTIONS

- Review the diagrams before beginning, and make sure the fixture is grounded properly.
- Turn the power off and wait for fixture to cool before handling.
- This fixture has to be installed or maintained in accordance with the application code by a professional who is familiar with the construction and operation of the product and the hazards involved.

CLEANING

- Before touching fixture, make sure the fixture has cooled.
- Do not clean or maintain while power to the fixture is on.
- Clean lens and fixture with non-abrasive glass cleaning solution.
- Do not disassemble fixture to clean and touch LED chips.

! WARNING DISCONNECT POWER BEFORE INSTALLING OR SERVICING.

Note: Fixture must be mounted on a wall with the lens facing down as shown in (Fig. 1).

STANDARD INSTALLATION

1. Unscrew door with a Phillips screwdriver by loosening (2) screws on the top of the fixture (Fig 2). Confirm junction box size and mounting provisions match that of the light fixture.
2. Attach the light fixture to the junction box or mounting surface.
3. Connect the appropriate wires to the light fixture wires, see wiring diagram (Fig. 3). Secure each wire pair with a UL approved connectors.
4. Close the door and tighten (2) screws on the door lens. Nothing should be trapped in the gasket sealing area when the door is closed.
5. Apply weatherproof silicone sealant between wall and housing to ensure a weatherproof installation.

GENERAL WIRING (Fig. 3)

Turn off the power.

1. Connect the BLACK wire with the AC LINE
2. Connect the WHITE wire with the AC NEUTRAL
3. Connect the GREEN wire with the GROUND

Note: Make sure all wiring is connected correctly, incorrect wiring may cause the LED driver to short out and void warranty.

Fig. 1

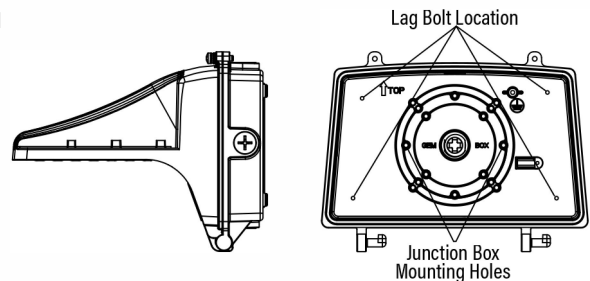


Fig. 2

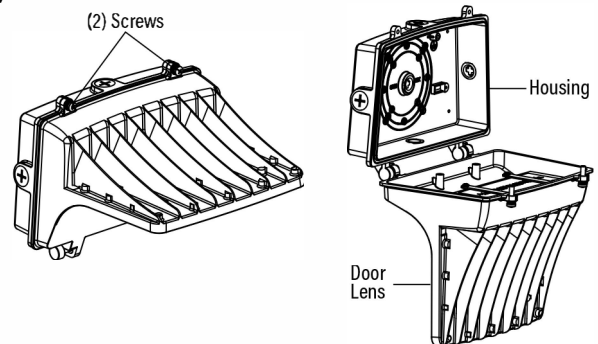
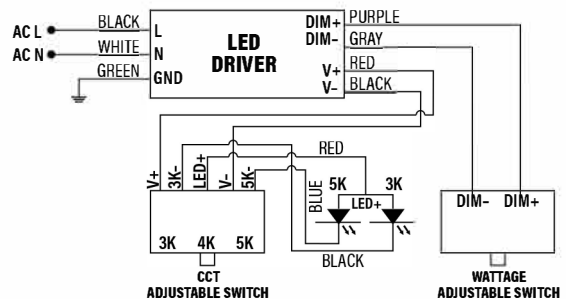


Fig. 3 - GENERAL WIRING DIAGRAM



LED SPEC-SELECT STEALTH™ FULL CUTOFF WALL PACK

INSTALL INSTRUCTIONS

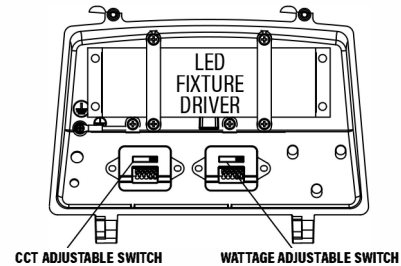


FIELD ADJUSTABLE WATTAGE & CCT (Fig. 4)

The end user may adjust the color temperature and lumen output, respectively, by the two slide switches situated below the driver. Each switch has multiple positions that corresponds to 1 of 3 color temperatures (3000K, 4000K, and 5000K) and 1 of 4 wattages, which can be adjusted to the desired combination.

1. Switches are located below the driver.
2. Select a wattage and color temperature by sliding switch left or right respectively to the desired value.

Fig. 4



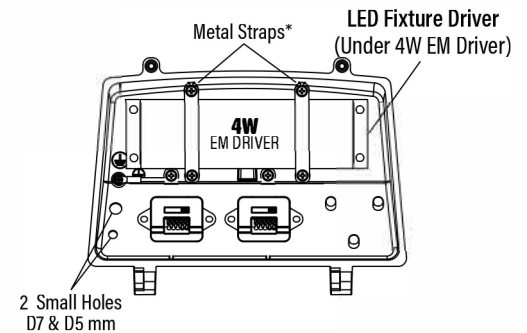
SAFETY CAUTIONS FOR LED EMERGENCY BACKUP USE

- **EM Emergency Backup with Stealth™ Cutoff Wall Pack not for use in Wet Location applications. - Use with grounded fixtures in dry or damp locations only.**
- **Risk of fire or electric shock.** This LED Emergency Backup installation requires knowledge of luminaire electrical systems. If not qualified, do not attempt installation. Contact a qualified electrician.
- Do not mount near gas or electric heaters; fixtures with emergency batteries should only operate in temperatures: 32° ~ 95°F (0° - 35°C).
- Do not connect battery pack connector until all other wiring is complete and AC power is on.
- Verify that all replacement parts installed are suitable for use with this emergency battery pack.
- Luminaire wiring and electrical parts may be damaged when drilling for installation of LED Emergency Backup. Check that enclosed wiring and components are clear of the area before drilling.

INSTALLATION OF LED EMERGENCY BACKUP - ITEM# 83895 (Sold separately)

1. Unscrew door with a Philips screwdriver by loosening (2) screws on the top of the fixture (Fig 2). Confirm junction box size and mounting provisions match that of the light fixture.
2. Drill two small hole (one for D5mm, one for D7mm) for indicator wire and test button for EM driver on the top of fixture as (Fig 5). Apply weatherproof silicone in and around drilled holes before mounting test button.
3. Assemble EM driver as shown in (Fig 5). *Note: 4W EM driver sits on the top of fixture driver. Place foam in-between fixture and emergency driver. Do not over-tighten the straps; this can damage the battery or driver, and cause it to fail, voiding the warranty. Just tighten enough to secure in place.*
4. Attach the light fixture to the junction box or mounting surface.
5. Connect the appropriate wires to the light fixture wires, see wiring diagram (Fig. 6). Secure each wire pair with a UL approved connectors.
6. Close the door and tighten (2) screws on the door lens. Nothing should be trapped in the gasket sealing area when the door is closed.
7. Apply silicone sealant between wall and housing where necessary.

Fig. 5 - 83895 / 4W EM DRIVER W/ INTEGRATED BATTERY



**Do not over-tighten the straps; this can damage the battery or driver, and cause it to fail, and void the warranty. Just tighten enough to secure in place.*

WIRING FOR LED EMERGENCY BACKUP

Accessories pack included; containing wire and connectors etc. Turn off the power before connecting wires.

1. Connect LED Driver V+ to Emergency Driver +.
2. Connect LED Driver V- to Emergency Driver -.
3. Connect Emergency Driver LED+ to CCT adjustable switch V+.
4. Connect Emergency Driver LED- to CCT adjustable switch V-.
5. Connect LED Driver ACL (Black) with Switched Line wire.
6. Connect Emergency Driver ACL connect with Unswitched Line wire from same service.
7. Connect LED Driver ACN (WHITE) and Emergency Driver ACN (WHITE) to same service Neutral.
8. Connect LED Driver GND (GREEN) with EM GND (GREEN) to ground wire.
9. Connect indicator wire with Emergency Driver.
10. Connect Battery wire with Emergency Driver (if split-type system).

Note: Make sure all wiring is connected correctly, incorrect wiring may cause the LED driver to short out and void warranty.

Fig. 6 - WIRING FOR EMERGENCY BATTERIES

