

LED 23W PLL LAMPS - DIRECT WIRE

INSTALL INSTRUCTIONS

PLEASE FIND A QUALIFIED ELECTRICIAN FOR INSTALLATION. Please read the instructions before you install and use the luminaire.

GENERAL: ALL ELECTRICAL CONNECTIONS MUST BE IN ACCORDANCE WITH LOCAL AND NATIONAL ELECTRICAL CODE (N.E.C.) STANDARDS. IF YOU ARE UNFAMILIAR WITH PROPER ELECTRICAL WIRING CONNECTIONS OBTAIN THE SERVICES OF A QUALIFIED ELECTRICIAN. REMOVE THE TRIM FROM THE BOX AND MAKE SURE THAT NO PARTS ARE MISSING.

- RISK OF SHOCK: DISCONNECT POWER BEFORE INSTALLATION
- **WARNING** - Risk of fire or electric shock. - Retrofit kit installation requires knowledge of electrical systems. If not qualified, do not attempt installation. Contact a qualified electrician.
- **WARNING** - Risk of fire or electric shock. - Install this kit only in the luminaires that have the construction features and dimensions shown in the photographs and/or drawings and where the input rating of the retrofit kit does not exceed the input rating of the luminaire.
- To prevent wiring damage or abrasion, do not expose wiring to edges of sheet metal or other sharp objects.
- Installers should not disconnect existing wires from the lampholder terminals to make new connections at lampholder terminals. Instead installers should cut existing lampholder leads away from the lampholder and make new electrical connections to lampholder lead wires by employing application connectors.
- THIS RETROFIT IS ACCEPTED AS A COMPONENT OF A LUMINAIRE WHERE THE SUITABILITY OF THE COMBINATION SHALL BE DETERMINED BY AUTHORITIES HAVING JURISDICTION.
- This device complies with Part 15 of the FCC Rules. Operation is subject to the following two conditions: (1) this device may not cause harmful interference, and (2) this device must accept any interference received, including interference that may cause undesired operation.
- The units covered in this report were intended to retrofit surface mount, Type IC or Non-IC recessed mount listed fluorescent luminaires that use a maximum of two lamps. The minimum dimensions of lamp compartment of luminaries are tabulated below.

ITEM#	BASE	MINIMUM LAMP COMPARTMENT DIMENSIONS	LAMP QTY
07219	2G11	24"(L) x 23.6"(W) x 3.1"(H)	2
17219			
27219			

- TYPE B LAMP – intended for operation in luminaires with traditional fluorescent-type lampholders wired directly to the branch circuit. This includes both factory-wired luminaries as well as those converted for this purpose under a retrofit program.
- Only use the control provided with or specified by these instructions to control this lamp. This lamp will not operate properly when connected to a standard (incandescent) dimmer or dimming control. Dimmable only when used with special 0-10V system interface component, ETA Q1.

IMPORTANT SAFETY INSTRUCTIONS

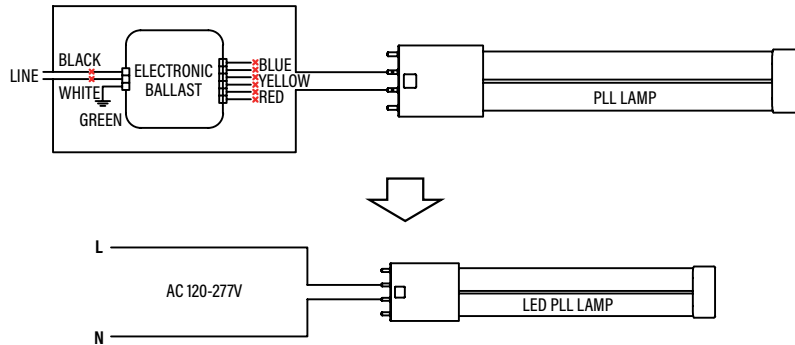
- Product should be installed by a qualified electrician.
- Do not use LED driver with the product.
- The end retrofit luminaire has been modified and can no longer operate the originally intended lamp.
- Caution - Risk of Electric Shock - Use in Dry and Damp Locations Only.
- Not for use with totally enclosed fixtures.
- Risk of Electric shock - Do Not Use Where Directly Exposed To Water.
- This device is not intended for use with emergency exit fixtures or emergency exit lights.

LED 23W PLL LAMPS - DIRECT WIRE

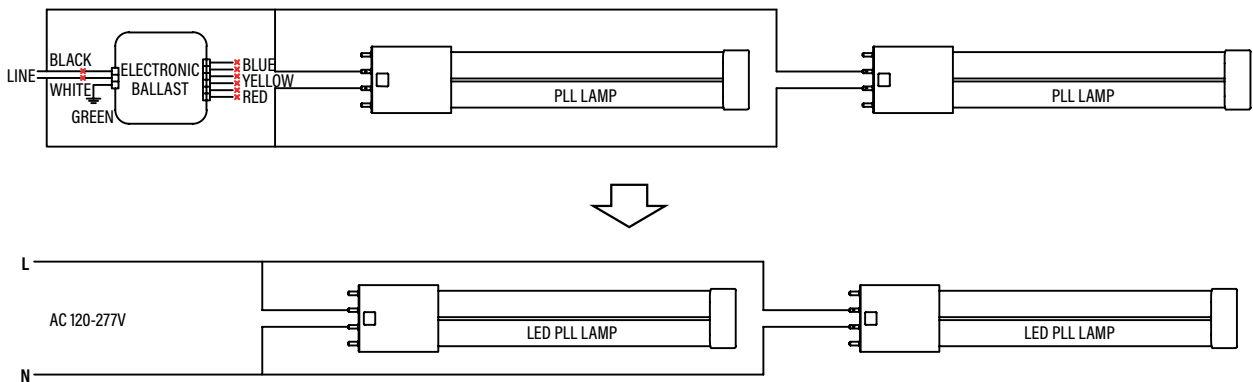
INSTALL INSTRUCTIONS

! WARNING - Disconnect power or circuit breaker before installing or servicing.

RETROFIT LUMINAIRE WITH ONE LAMP



RETROFIT LUMINAIRE WITH TWO LAMPS



RETROFIT LUMINAIRE WITH THREE LAMPS

