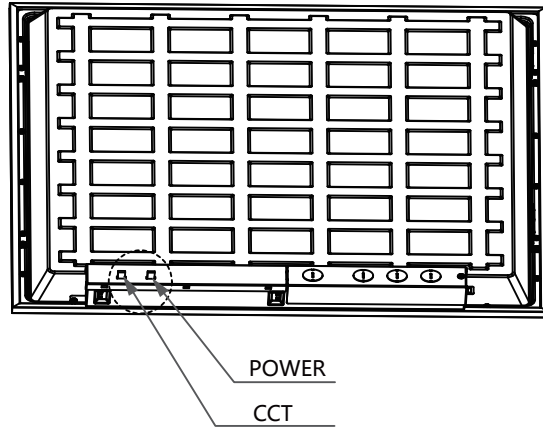


Power and CCT adjustable switch

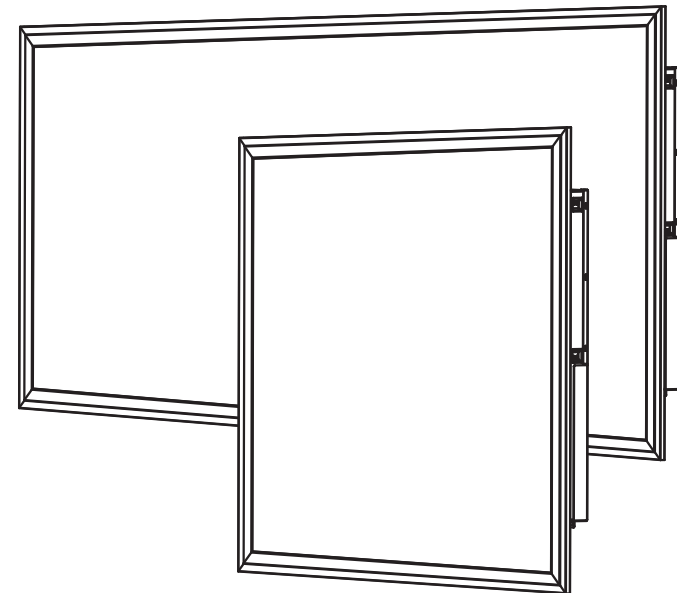


Double switch design can adjust power and CCT.

Troubleshooting

Problem	Possible Cause	Solutions
Failures	Supply cord is interrupted	Reconnect the supply cord
	Driver failing to work fully	Replace the driver
	LED model failing to work fully	Replace LED model
	LED model failing to work partly	Replace damaged LED chips
Flashing	The driver does not work	Replace driver
	LED chips failing to work	Replace LED model

Installation instructions



Product Specification

Model	Size(ft)	Rated Power (Adjustable)	CCT (Adjustable)	Efficacy
ULI-HG-GRUL-BBW2X2-YYA	2x2	30W/36W/40W	3500K/4000K/5000K	≥135 lm/W
ULI-HG-GRUL-BBW2X4-YYA	2x4	30W/40W/50W		

Product Precautions

1. The product is suitable for indoor use.
2. Before use, it is necessary to confirm whether the product is damaged during transportation.
3. Don't let children touch live products.
4. Do not cover anything on the product, and keep the product away from open fire or high-temperature objects. Note: working temperature range: -4°F~113°F, storage temperature: -4°F~140°F.
5. This product must be installed according to relevant installation specifications. Non professional personnel are not allowed to disassemble and repair. Our company has the right not to provide replacement or warranty services for the products disassembled and repaired without permission.
6. Power cables conforming to safety standards must be used. Appropriate cable space shall be reserved for installation facilities.
7. Before cleaning the lamps and lanterns, please turn off the power and clean them with dry rags. Do not use chemicals or corrosive substances to clean them.

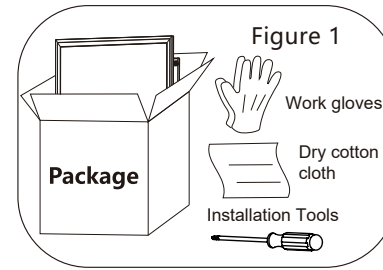
Application Scope

Hotel, factory meeting room or office, residential or public facilities, commercial use, school, hospital and other lighting.

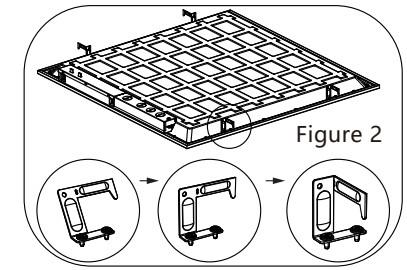
Installation

WARNING:

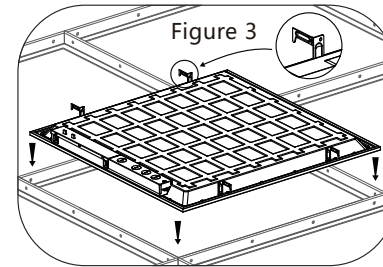
1. Switch off before installation.
2. Switch on only after complete installation and examination of the circuit.
3. Professional electrician for installation and maintenance only



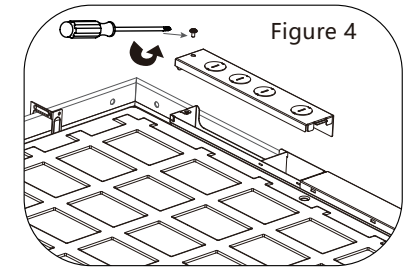
Carefully unpack unit and properly inspect for defects before installing. Wear work gloves to prevent dirt and oil from being transferred to the luminaire. If cleaning is needed use a dry cotton cloth. It is not recommended to use gloves, and prepare the installation tools.



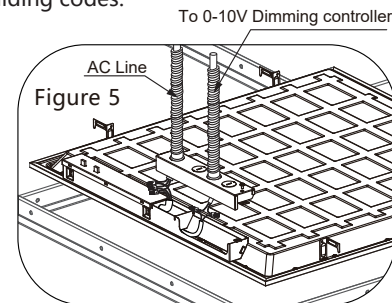
Lift up four mounting clips on the sides of the luminaire. You can do it by hand (Do wear work gloves) or use pliers.



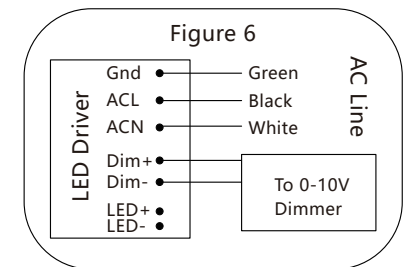
Insert luminaire into T-bar ceiling grid. Secure safety cable to connection hole as needed to meet local seismic requirements. Safety cable and method of attachment to the building provided by contractor according to local building codes.



Remove electrical enclosure cover. Carefully remove knockout for AC line input wires and 0-10V control line. Install listed electrical fittings in the knockout holes for wire protection if needed.



Plug in AC line to the LED Driver using 18-14AWG wire. When connecting 0-10V dimming controller, wire must run through a separate knockout hole equipped with an appropriate electrical fitting.



Follow wire connection instructions. When using the 0-10V dimming controller, run wires from controller through a different knockout than the AC input wire. Don't forget to return the electrical enclosure cover and tighten the screws.