

LED SPEC-SELECT™ DESIGNER TROFFER

INSTALL INSTRUCTIONS

PLEASE FIND A QUALIFIED ELECTRICIAN FOR INSTALLATION. Please read the instructions before you install and use the luminaire.

WARNING, CAUTIONS AND OPERATING INSTRUCTIONS

- To reduce the risk of death, personal injury or property damage from fire, electric shock, falling parts, cuts/abrasions, and other hazards read all warnings and instructions included with and on the fixture box and all fixture labels.
- Before installing, servicing, or performing routine maintenance upon this equipment, follow these general precautions.
- Commercial installation, service and maintenance of luminaires should be performed by a qualified licensed electrician.
- For the installation: If you are unsure about the installation or maintenance of the luminaires, consult a qualified licensed electrician and check your local electrical code.
- To prevent wiring damage or abrasion, do not expose wiring to edges of sheet metal or other sharp objects.
- Do not make or alter any open holes in an enclosure of wiring or electrical components during kit installation.

WARNING: RISK OF FIRE OR ELECTRICAL SHOCK

- Turn off electrical power at fuse or circuit breaker box before wiring fixture to the power supply or performing any maintenance.
- Verify that supply voltage is correct by comparing it with the luminaire label information.
- All wiring connections should be capped with UL approved wire connectors.

CAUTION: RISK OF INJURY

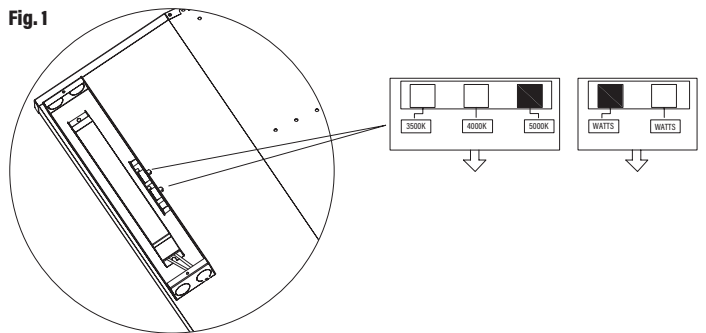
- Not for use in the following applications; food processing facilities, kitchens, chemical processing plants or stockyards.
- Not for use in areas with poor ventilation or high temperatures.
- Operating temperature: 5~113°F (-15~45°C)
- Suitable for damp locations.

! WARNING - TURN OFF POWER SUPPLY FROM MAIN CIRCUIT BREAKER BEFORE INSTALLING OR SERVICING.

FIELD ADJUSTABLE WATTAGE & CCT

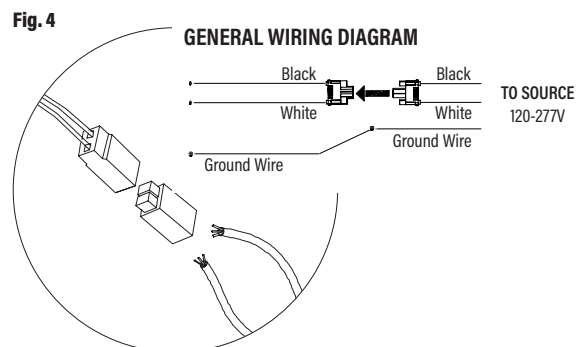
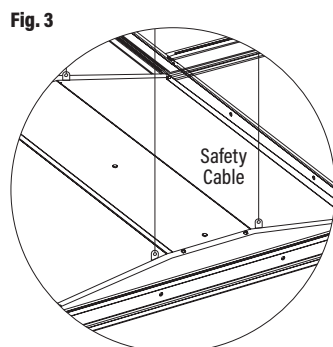
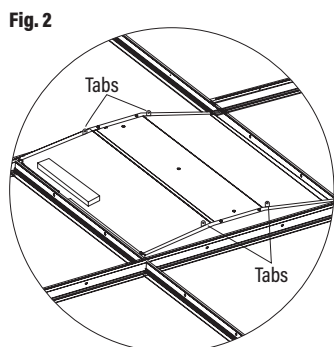
The end users may adjust the color temperature and lumen output, respectively, by the two slide switches integrated into the driver box. One switch has 2 options (left and right) to select wattage, and the other switch has 3 options (3500K, 4000K and 5000K), both can be adjusted to the desired combination.

1. Switches are located on the driver compartment. (Fig. 1)
2. Select a wattage and color temperature by sliding switch left or right respectively to the desired value. (Fig. 1)



T-GRID / RECESSED MOUNTING

1. Use screw driver to the lift and straighten the 4 hanging tabs. (Fig. 2)
2. Lay fixture into T-grid ceiling (Fig. 2)
3. Use hanger wires to tie fixture hanging tabs off appropriately, in accordance with local building codes. (Hanger wires supplied by installer). (Fig. 3)
4. Then make all electrical connections to the fixture, in accordance with local electrical codes. (Fig. 4)



LED SPEC-SELECT™ DESIGNER TROFFER

INSTALL INSTRUCTIONS

WARNING - TURN OFF POWER SUPPLY FROM MAIN CIRCUIT BREAKER BEFORE INSTALLING OR SERVICING.

SUSPENDED MOUNTING *(V-Hooks and Chain Sold Separately)*

1. Secure ceiling plates into the ceiling by using expansion anchors and self-tapping screws. (Fig. 5)
2. Use screw driver to the lift and straighten the hanging tabs. (Fig. 6)
3. Install v-hooks and chain. (Fig. 7)
4. Secure chain to the ceiling plates with a carabiner (Fig. 8)
5. Then make all electrical connections to the fixture. (Fig. 9)

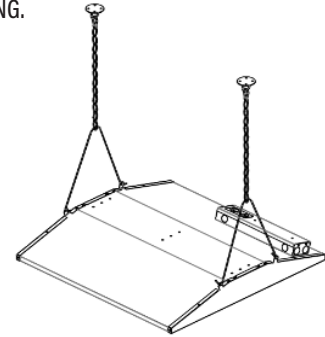


Fig. 5

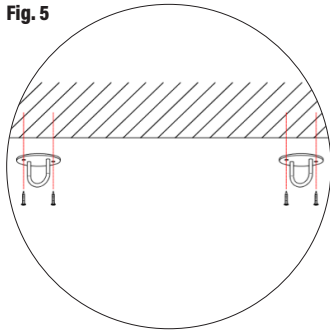


Fig. 6

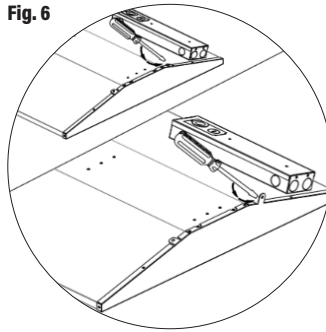


Fig. 7

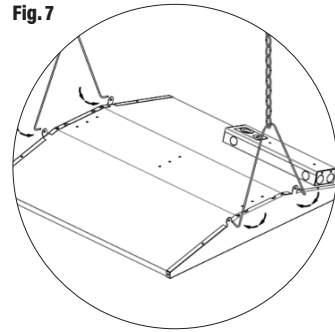


Fig. 8

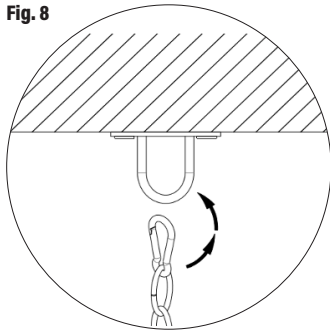
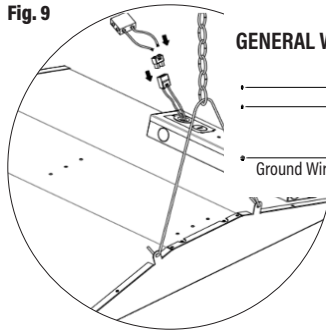


Fig. 9



GENERAL WIRING DIAGRAM

