



**SELECTABLE
COLOR
TEMPERATURE**

Item#: **02049**
**LED TONE-SELECT™ OUTDOOR
 MOTION SECURITY LIGHT**
 OUTDOOR NON-CUTOFF AND SEMI-CUTOFF
 WALL-MOUNTED AREA LUMINAIRES

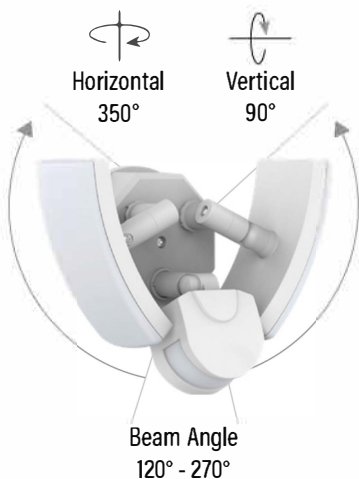
FEATURES

- Selectable color temperature
- Adjustable Motion Sensor Sensitivity
- 3 Fixtures in 1
 - » Night Security Light with motion sensor
 - » Dusk-to-Dawn area light
 - » On/off area light (w/sensors deactivated)
- Easy installation; surface or wall mount

APPLICATION

Entry way, perimeter and security lighting in a wide variety of commercial, industrial and residential applications.

ADJUSTABLE LIGHTING DIRECTION



ELECTRICAL

Wattage	26W
Voltage	120-277V
Current	0.27A
Power Factor	0.9
Total Harmonic Distortion (THD)	≤20%

LIGHTING PERFORMANCE

Lumens	2730-3000
Lumens Per Watt (Lm/W)	105-115
Color Temperature (CCT)	3000K / 4000K / 5000K
Color Rendering (CRI)	80
Detection Distance (Feet)	39' - 60'
Ambient Light Sensitivity (Foot-candle)	10FC (On) / 30FC (Off)
Beam Angle	120° - 270°
Light Distribution	--
BUG Rating (Backlight, Uplight, and Glare)	--

Dimmable Lighting Control



ENVIRONMENT

Operating Temperature	-4° ~ 113°F
Suitable Location	WET
Ingress Protection Rating	--
Impact Resistance Rating	IK06

LIFESPAN

Average Life (Hours)	50,000
Warranty (Years)	3

COMPONENTS

LED Light Source	SMD 2835
------------------	----------

CONSTRUCTION

Housing	PC
Lens	PC
Base / Power Supply	Hard Wired
Finish	White

QUALIFICATIONS

Model Number	LTS-26W-PS-3CCT-W
--------------	-------------------



Published lumens on LED products are approximate and may vary slightly. - Specifications are subject to change without notice.

Item#: **02049**

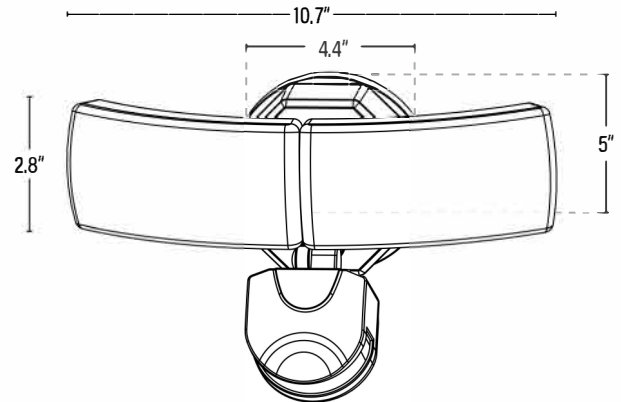
LED TONE-SELECT™ OUTDOOR MOTION SECURITY LIGHT

DIMENSIONS (Inches)

Length	10.7"
Width	5"
Height	--
Net Weight (Lbs)	1.4

SUPPORTING DOCUMENTS (Grey = not available at this time.)

Product Sheet	VIEW
Install Instructions	VIEW
IES Download from Web Item	VIEW
Photometric Refer to Web Item	VIEW
LM79	VIEW
LM80	VIEW



PACKAGING

		UPC	DIMENSIONS (LxWxH)	GROSS WEIGHT (Lbs)
Master Carton	12	10811768025474	24.4" x 15.8" x 20.5"	25.4
Individual Box	1	811768025477		2.1
Country of Origin	China			
HS Tariff	9405.11.6020			

ORDERING Qualification Model # LTS-26W-PS-3CCT-W

ITEM#	DESCRIPTION	CASE
02049	LED TONE-SELECT™ OUTDOOR MOTION SECURITY LIGHT/26W/30-50K/120-277V/WHT	12

ADDITIONAL INFORMATION:

Please refer to the install instructions for detailed information on mounting and sensor functions.

- Installation height should not be lower than 6FT and not higher than 15FT, for best motion sensor performance.
- Detection distance can change by adjusting the sensor to different angles and degrees, besides the sensor sensitivity settings.
- Fixture can be customized to work as a; light & motion sensor, dusk to dawn fixture, or normal light.